



# DESIGN DEVELOPMENT PACKAGE

DESIGN DEVELOPMENT DRAWINGS  
 \*\*\*NOT FOR CONSTRUCTION\*\*\*  
 FIELD VERIFY ALL MEASUREMENTS

**TORONTO, CANADA**  
**RIPLEY'S AQUARIUM OF CANADA**  
**RIPLEY CHANGEABLE EXHIBIT - 12/2017**

## INDEX

101.1.0	CONCEPT RENDER	11X17	101.4.1	MON LEI CENTERPIECE	11X17
101.1.1	KEY PLAN	11X17	101.4.2	EXHIBIT BOX A	11X17
101.1.2	WALL LAYOUT	11X17	101.4.3	EXHIBIT BOX B	11X17
101.1.4	FLOOR LAYOUT	11X17	101.4.4	MON LEI BEAM	11X17
101.1.6	FLOORING PLAN	11X17	101.4.5A	MON LEI SHIP RENDERS	11X17
101.1.7	ELECTRICAL PLAN	11X17	101.4.5B	MON LEI ENTRANCE FRAME	11X17
-----			101.4.5C	MON LEI SIDE PANELS	11X17
101.2.1	ELEVATION A	11X17	101.4.6	ROPE BEAM	11X17
101.2.2	ELEVATION B	11X17	101.4.7A	FLASHLIGHT FISH WALL RENDER	11X17
101.2.3	ELEVATION C	11X17	101.4.7B	FLASHLIGHT FISH WALL DETAILS	11X17
101.2.4	ELEVATION D.1	11X17	101.4.8	VIEWER INTERACTIVE	11X17
101.2.5	ELEVATION D.2	11X17	101.4.9	DISPLAY CASE DETAILS	11X17
-----			101.4.10	SHELL DISPLAY CASE	11X17
-----			101.4.11	PORHOLE EXHIBIT CASE	11X17
-----			101.4.12	INDONESIA PORHOLE CASE	11X17
-----			101.4.13	JAPAN PORHOLE CASE	11X17
-----			101.4.14	SPIN BROWSER	11X17
-----			T-1	GOLDFISH TANK	11X17
-----			T-2	MANTIS SHRIMP TANK	11X17
-----			T-3.1	FLASHLIGHT FISH TANK	11X17
-----			T-3.2	FLASHLIGHT FISH TANK	11X17
-----			T-4	FROGFISH/BATFISH TANK	11X17
-----			T-5	ISOPOD TANK	11X17
-----			T-6	FANGFISH TANK	11X17

**RIPLEY**

ENTERTAINMENT, INC.  
 7576 KINGSPONTE PKWY #188  
 ORLANDO, FLORIDA 32819  
 (407) 345-8010

WWW.RIPLEYS.COM





1 CONEPT RENDER

**RIPLEY**  
ENTERTAINMENT, INC.  
7576 KINGSPONTE PKWY #188  
ORLANDO, FLORIDA 32819  
(407).345.8010  
  
WWW.RIPLEYS.COM

PROJECT LOCATION:  
**TORONTO**  
  
NOTES:

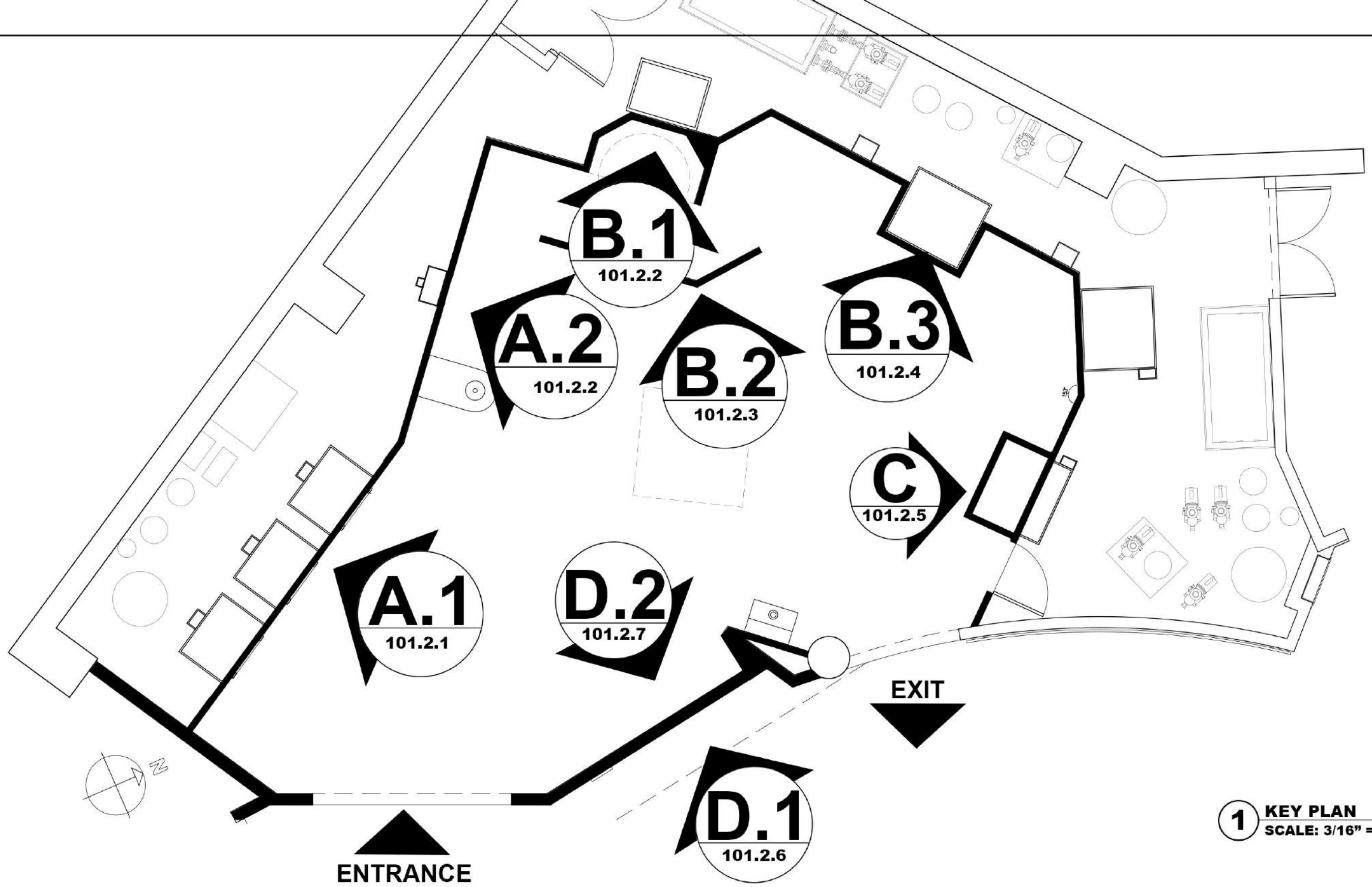
PROJECT TITLE:  
  
**Ripley's**  
**AQUARIUMS**

DATE:  
**12/17**  
REVISED DATE:  
  
SCALE:

DRAWN BY:  
**CCOYLE**  
  
APPROVED BY:

SHEET #  
  
**101.0.1**  
**CONCEPT**  
**RENDER**





**1** KEY PLAN  
SCALE: 3/16" = 1'

**RIPLEY**  
ENTERTAINMENT, INC.  
7576 KINGSPONTE PKWY #188  
ORLANDO, FLORIDA 32819  
(407).345.8010  
  
WWW.RIPLEYS.COM

PROJECT LOCATION:  
**TORONTO**  
  
NOTES:

PROJECT TITLE:  
  
**Ripley's AQUARIUMS**

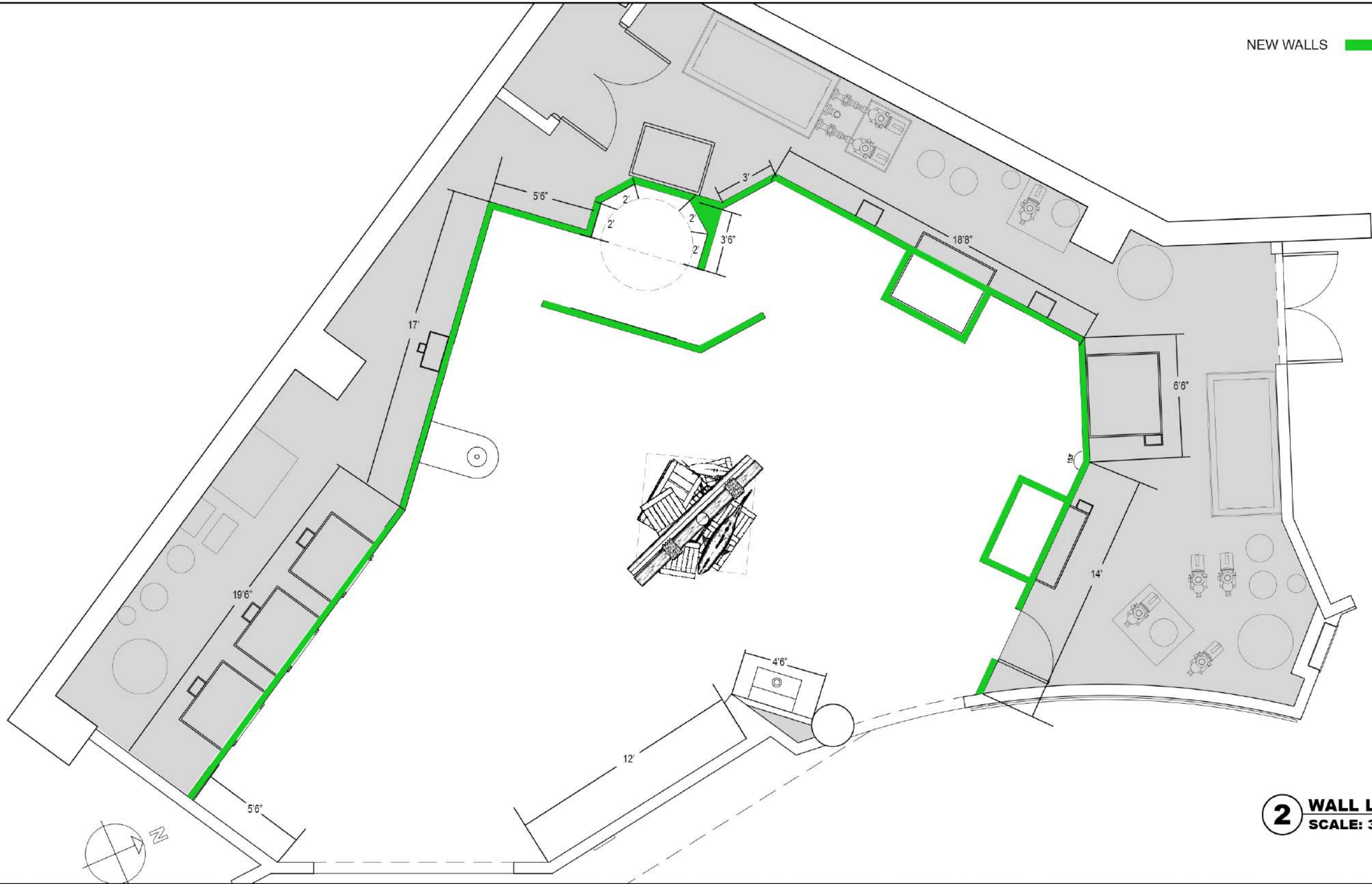
DATE:  
**12/17**  
REVISED DATE:  
  
SCALE:  
**3/16" = 1'**

DRAWN BY:  
**CCOYLE**  
  
APPROVED BY:

SHEET #  
  
**101.1.1**  
KEY PLAN



NEW WALLS 



**2** WALL LAYOUT  
SCALE: 3/16" = 1'

**RIPLEY**  
ENTERTAINMENT, INC.  
7576 KINGSPOINTE PKWY #188  
ORLANDO, FLORIDA 32819  
(407).345.8010  
  
WWW.RIPLEYS.COM

PROJECT LOCATION:  
**TORONTO**  
  
NOTES:

PROJECT TITLE:  


DATE:  
**12/17**  
REVISED DATE:  
  
SCALE:  
**3/16" = 1'**

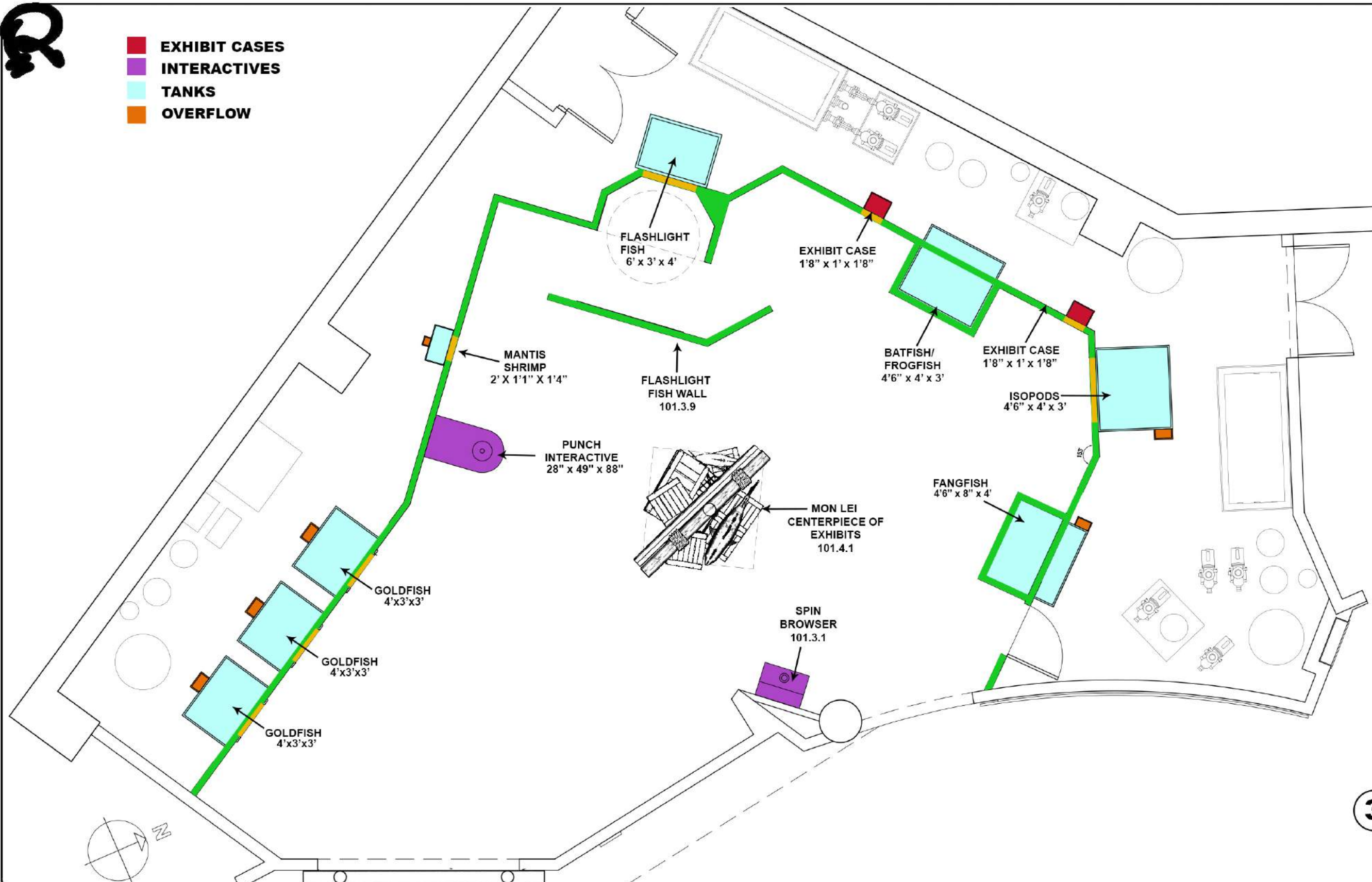
DRAWN BY:  
**CCOYLE**  
  
APPROVED BY:

SHEET #  
  
**101.1.2**  
WALL  
LAYOUT





- EXHIBIT CASES
- INTERACTIVES
- TANKS
- OVERFLOW



AQ TANKS DIMENSIONS	
GOLDFISH TANKS (3)	4' x 3' x 3' <b>NEW</b>
MANTIS SHRIMP TANK (2)	2' x 1'1" x 1'4" <b>NEW</b>
FLASHLIGHT FISH TANK (1)	4' x 3' x 6' <b>NEW</b>
ISOPODS	4'6" x 4' x 3' <b>EXISTING</b>
BATFISH/FROGFISH TANK	4'6" x 4' x 3' <b>WAREHOUSE</b>
FANGFISH	4'6" x 8" x 4' <b>EXISTING</b>

AQ TANKS OVERFLOW DIMENSIONS	
GOLDFISH TANKS (3)	12" x 6" x 12" <b>NEW</b>
MANTIS SHRIMP TANK (2)	6" x 4" x 6" <b>NEW</b>
FLASHLIGHT FISH TANK (1)	12" x 6" x 12" <b>NEW</b>
ISOPODS TANK	12" x 6" x 12" <b>EXISTING</b>
FANGFISH TANK	12" x 6" x 12" <b>EXISTING</b>

**3 FLOOR LAYOUT**  
SCALE: 3/16" = 1'

**RIPLEY**  
ENTERTAINMENT, INC.  
7576 KINGSPONTE PKWY #188  
ORLANDO, FLORIDA 32819  
(407).345.8010  
  
WWW.RIPLEYS.COM

PROJECT LOCATION:  
**TORONTO**  
  
NOTES:

PROJECT TITLE:

DATE:  
**12/17**  
REVISED DATE:  
  
SCALE:  
**3/16" = 1'**

DRAWN BY:  
**CCOYLE**  
  
APPROVED BY:

SHEET #  
  
**101.1.3**  
**FLOOR**  
**LAYOUT**





**FLOORING REFERENCE**



**C-1-[CARPET 1]  
103960 Sequoia  
100 cm x 25 cm  
ASHLER PATTERN  
INTERFACE.COM**



**4 FLOORING PLAN**  
SCALE: 3/16" = 1'

**RIPLEY**  
ENTERTAINMENT, INC.  
7576 KINGSPONTE PKWY #188  
ORLANDO, FLORIDA 32819  
(407).345.8010  
  
WWW.RIPLEYS.COM

PROJECT LOCATION:  
**TORONTO**  
  
NOTES:

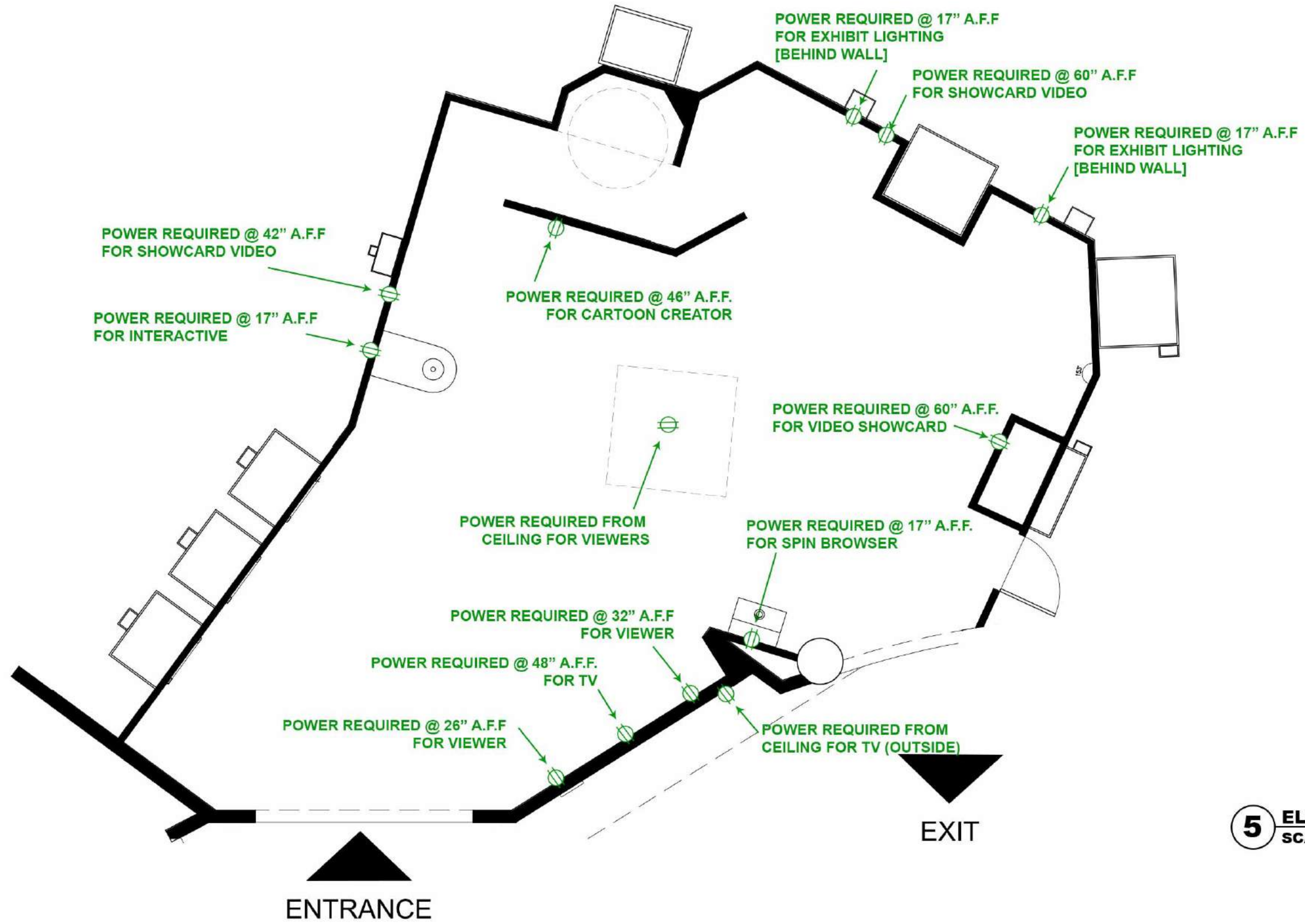
PROJECT TITLE:  


DATE:  
**12/17**  
REVISED DATE:  
  
SCALE:  
**3/16" = 1'**

DRAWN BY:  
**CCOYLE**  
  
APPROVED BY:

SHEET #  
  
**101.1.4  
FLOORING  
PLAN**





**5** ELECTRICAL PLAN  
SCALE: 3/16" = 1'

**RIPLEY**  
ENTERTAINMENT, INC.  
7576 KINGSPONTE PKWY #188  
ORLANDO, FLORIDA 32819  
(407).345.8010  
  
WWW.RIPLEYS.COM

PROJECT LOCATION:  
**TORONTO**  
  
NOTES:

PROJECT TITLE:

DATE:  
**12/17**  
REVISED DATE:  
  
SCALE:  
**3/16" = 1'**

DRAWN BY:  
**CCOYLE**  
  
APPROVED BY:

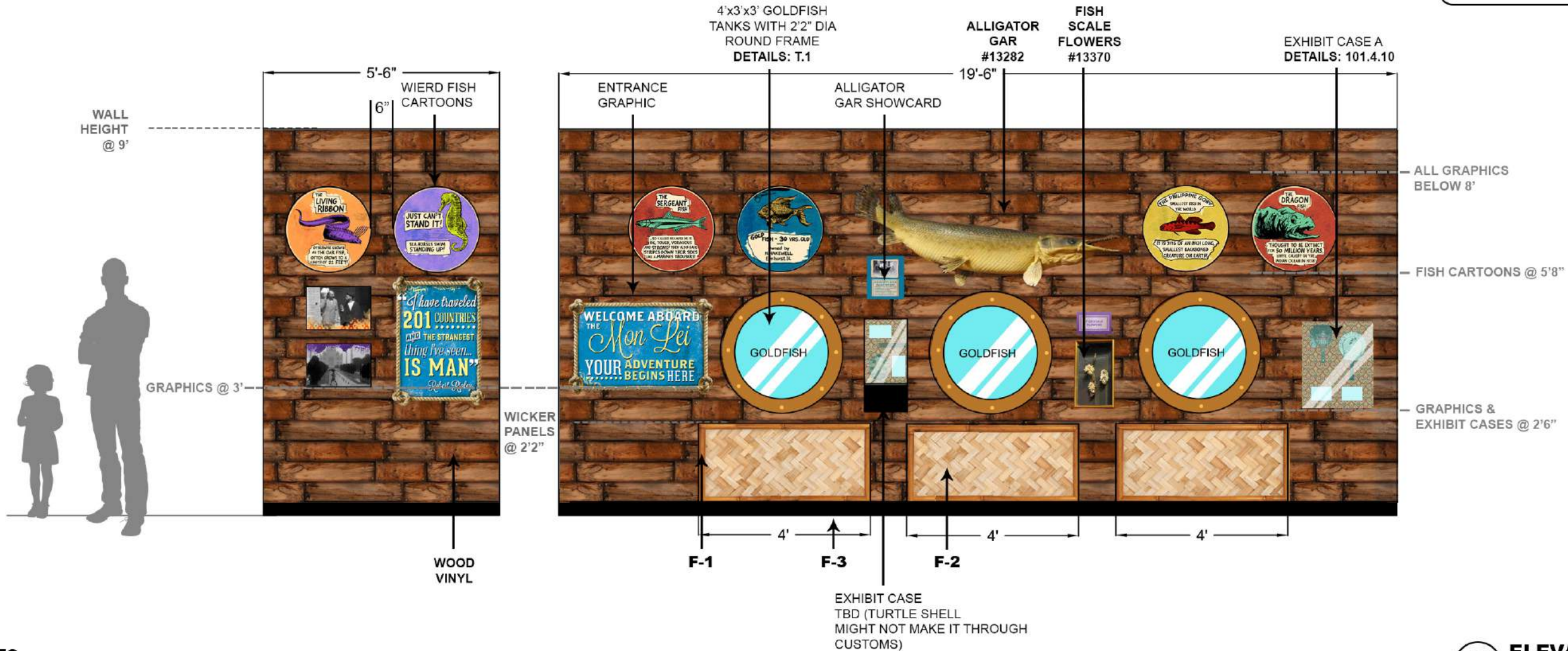
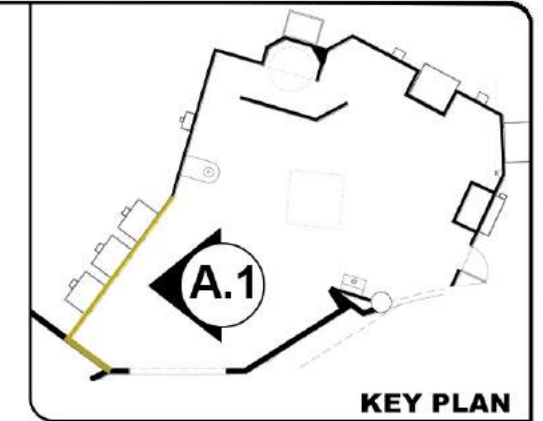
SHEET #  
**101.1.5**  
ELECTRICAL  
PLAN





### NOTES

-HAVE 6" BETWEEN EACH FISH CARTOON FOR ALL ELEVATIONS.



### FINISHES



**F-1 [FINISH 1]**  
**FLAT BAMBOO STRIP**  
safarihatch.com



**F-2 [FINISH 2]**  
**BAMBOO PLYWOOD**  
safarihatch.com



**F-3 [FINISH 3]**  
**FLEXCO Vinyl Wall Base**  
**BLACK**  
Item # 378981  
lowes.com

**6 ELEVATION A.1**  
SCALE: 3/8" = 1'

**RIPLEY**  
ENTERTAINMENT, INC.  
7576 KINGSPONTE PKWY #188  
ORLANDO, FLORIDA 32819  
(407).345.8010

WWW.RIPLEYS.COM

PROJECT LOCATION:  
**TORONTO**  
NOTES:

PROJECT TITLE:



DATE:  
**12/17**  
REVISED DATE:  
SCALE:  
**3/8" = 1'**

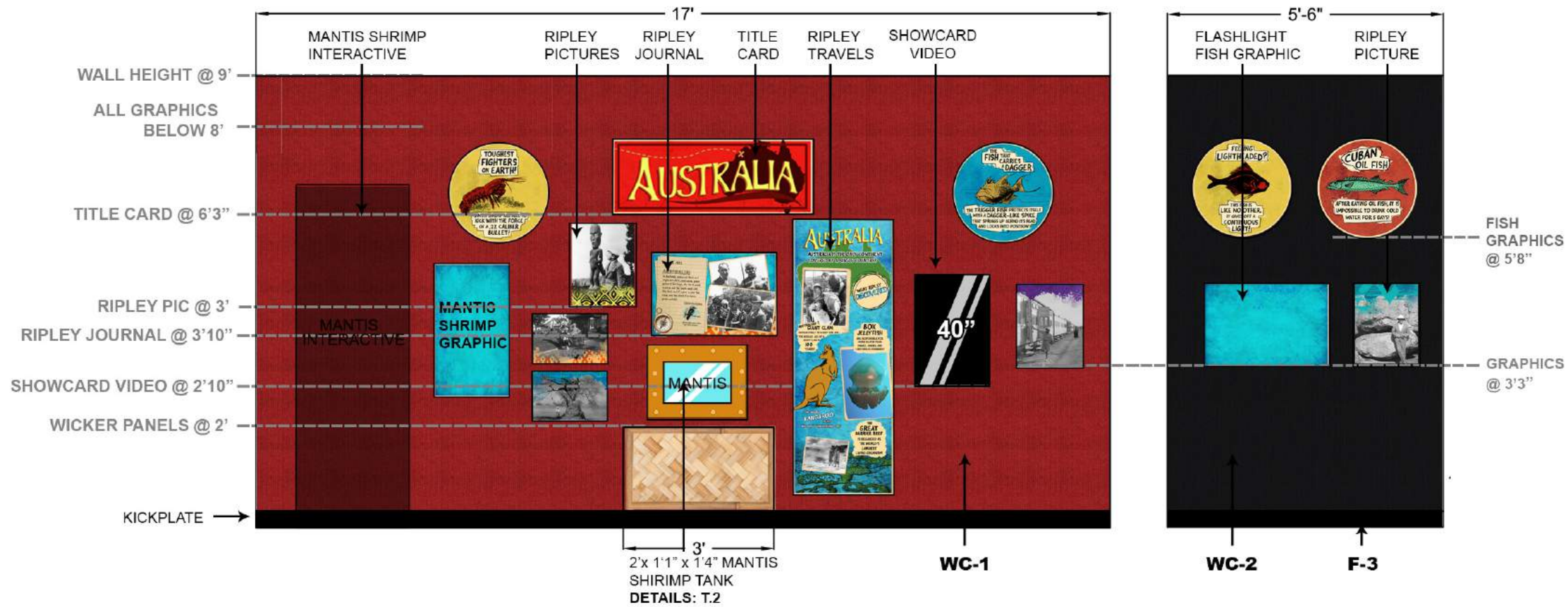
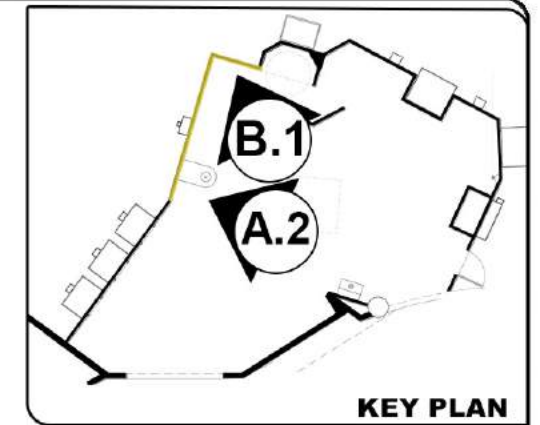
DRAWN BY:  
**CCOYLE**  
APPROVED BY:

SHEET #  
**101.2.1**  
**ELEVATION**  
**A.1**





**MANTIS PUNCHING INTERACTIVE REFERENCE**



**FINISH REFERENCE**

 <p><b>WC-1 [WALL CARPET 1]</b>  <b>CROSSPOINT</b>          SKU: FABCRO00800          54" Wide SOLD BY YD.  <a href="http://acousticalsolutions.com">acousticalsolutions.com</a></p>	 <p><b>WC-2 [WALL CARPET 2]</b>  <b>CROSSPOINT</b>          SKU: FABCRO00503          54" Wide SOLD BY YD.  <a href="http://acousticalsolutions.com">acousticalsolutions.com</a></p>	 <p><b>F-3 [FINISH 3]</b>  <b>FLEXCO Vinyl Wall Base</b>          BLACK          Item # 378981  <a href="http://lowes.com">lowes.com</a></p>
---	---	---

**7 ELEVATION A.2 & B.1**  
 SCALE: 3/8" = 1'

**RIPLY**  
 ENTERTAINMENT, INC.  
 7576 KINGSPONTE PKWY #188  
 ORLANDO, FLORIDA 32819  
 (407).345.8010  
 WWW.RIPLEYS.COM

PROJECT LOCATION:  
**TORONTO**  
 NOTES:

PROJECT TITLE:  


DATE:  
**12/17**  
 REVISED DATE:  
 SCALE:  
**3/8" = 1'**


DRAWN BY:  
**CCOYLE**  
 APPROVED BY:

SHEET #  
**101.2.2**  
**ELEVATION**  
**A.2 & B.1**





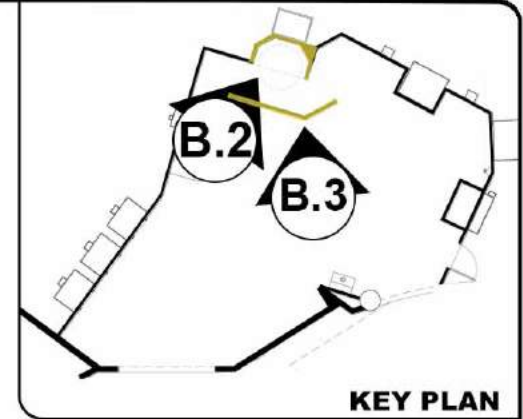
**PARTS REFERENCE**



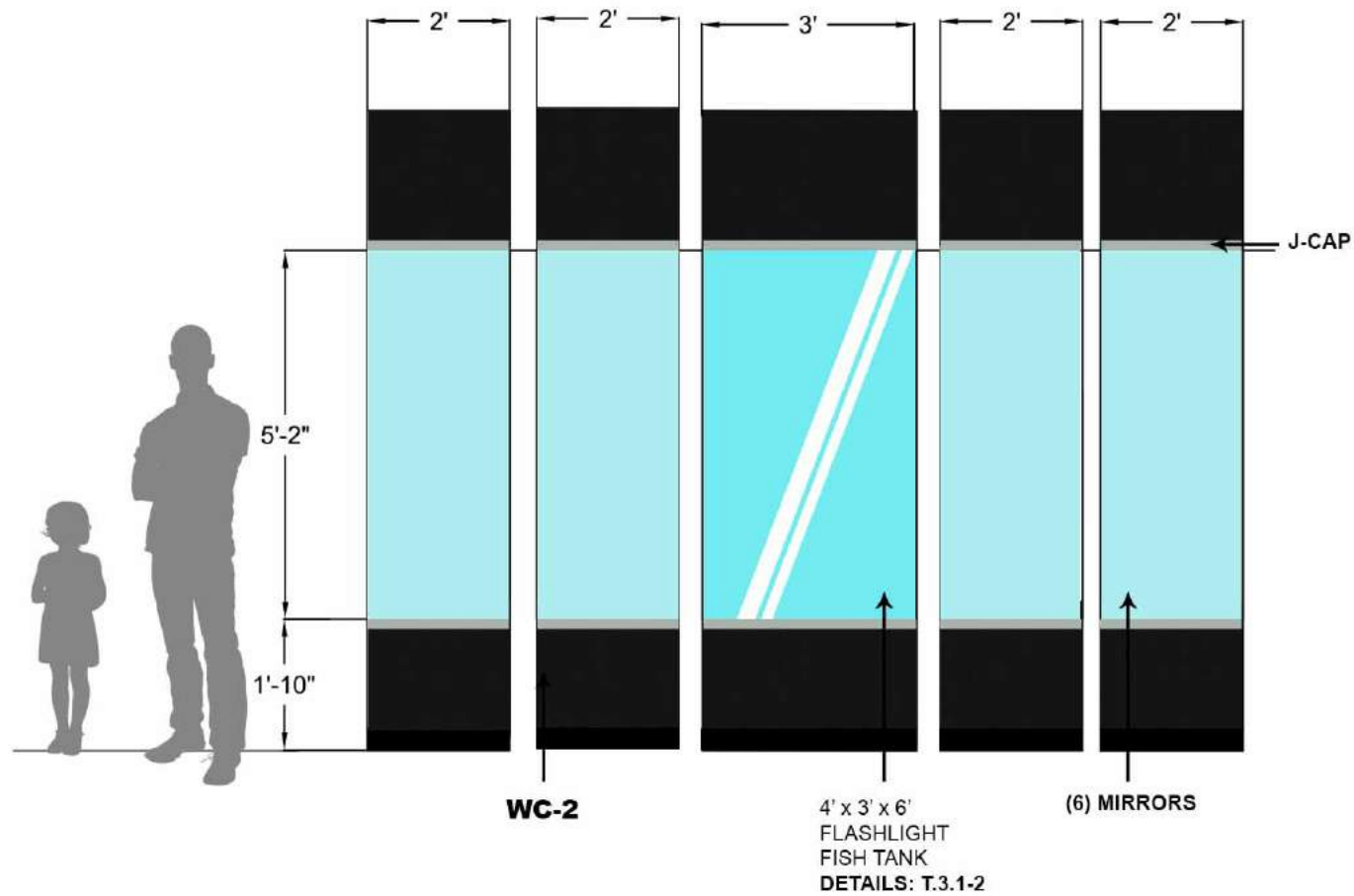
**Aluminum J-Cap – 1/4" Face for 3/32" Material**  
Part#: E-82  
QTY: 12  
eagle-aluminum.com



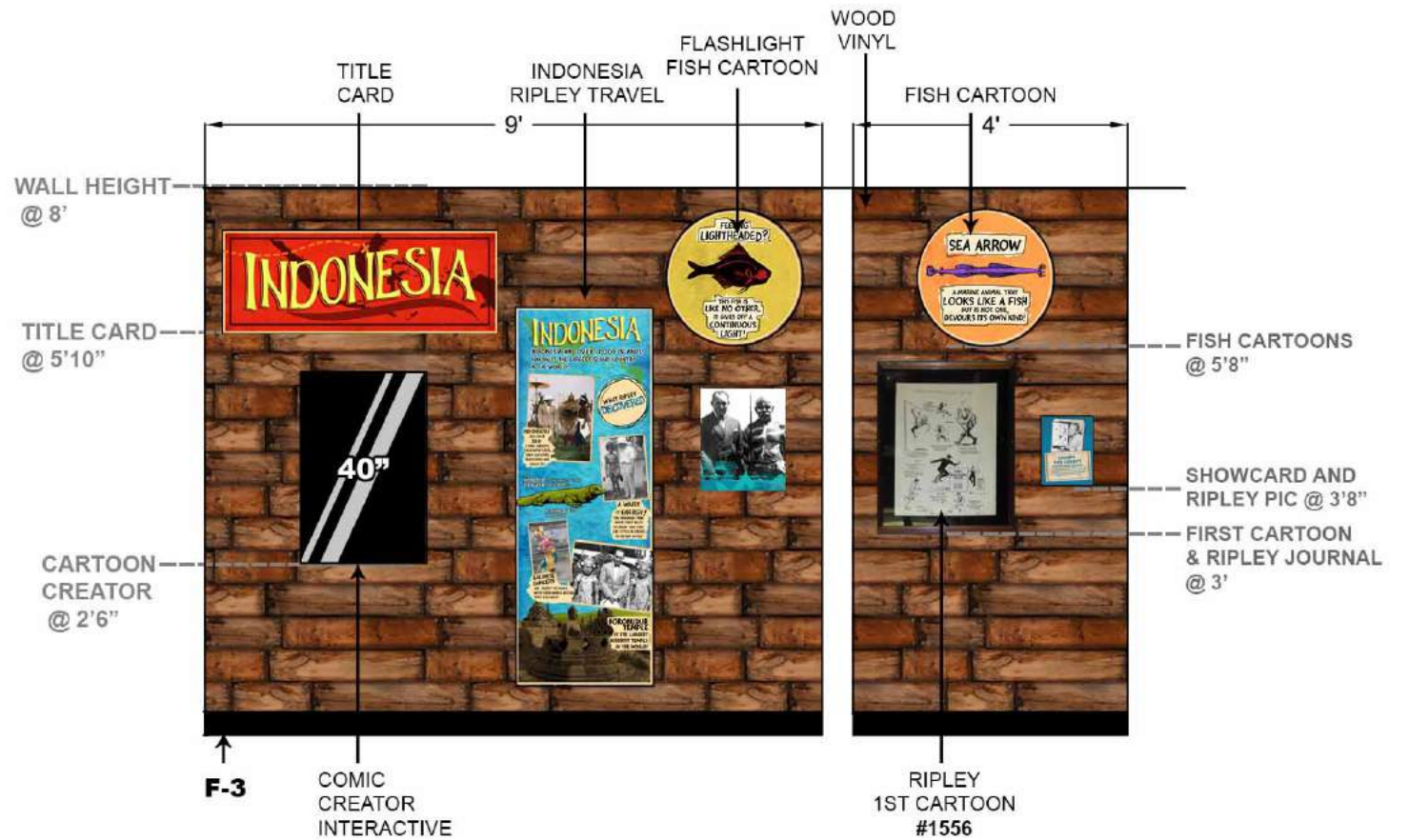
**CLEAR GLASSLESS MIRROR**  
24"W X 72"H  
QTY: 4  
12" X 72"  
QTY: 2  
dullesglassandmirror.com



FLASHLIGHT FISH PHOTO OP  
DETAILS: T3.1-2



FLASHLIGHT FISH PHOTO OP WALL (EXTERIOR)  
DETAILS: 101.4.7




**WC-2 [WALL CARPET 2] CROSSPOINT**  
SKU: FABCRO00503  
54" Wide SOLD BY YD.  
acousticalsolutions.com



**F-3 [FINISH 3] FLEXCO Vinyl Wall Base BLACK**  
Item # 378981  
lowes.com

**8 ELEVATION B.2 & B.3**  
SCALE: 3/8" = 1'

**RIPLEY**  
ENTERTAINMENT, INC.  
7576 KINGSPONTE PKWY #188  
ORLANDO, FLORIDA 32819  
(407).345.8010  
WWW.RIPLEYS.COM

PROJECT LOCATION:  
**TORONTO**  
NOTES:

PROJECT TITLE:



DATE:  
**12/17**  
REVISED DATE:  
SCALE:

DRAWN BY:  
**CCOYLE**  
APPROVED BY:

SHEET #  
**101.2.3**  
ELEVATION  
A.2 & B.1

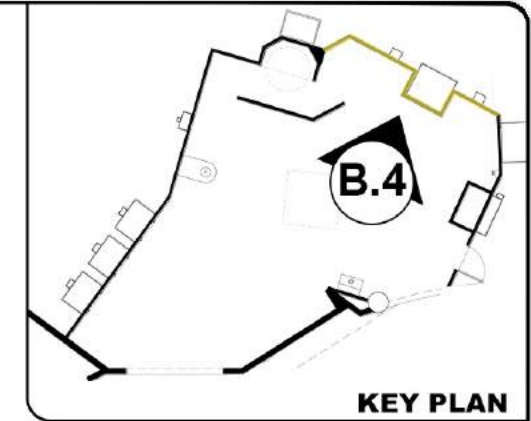




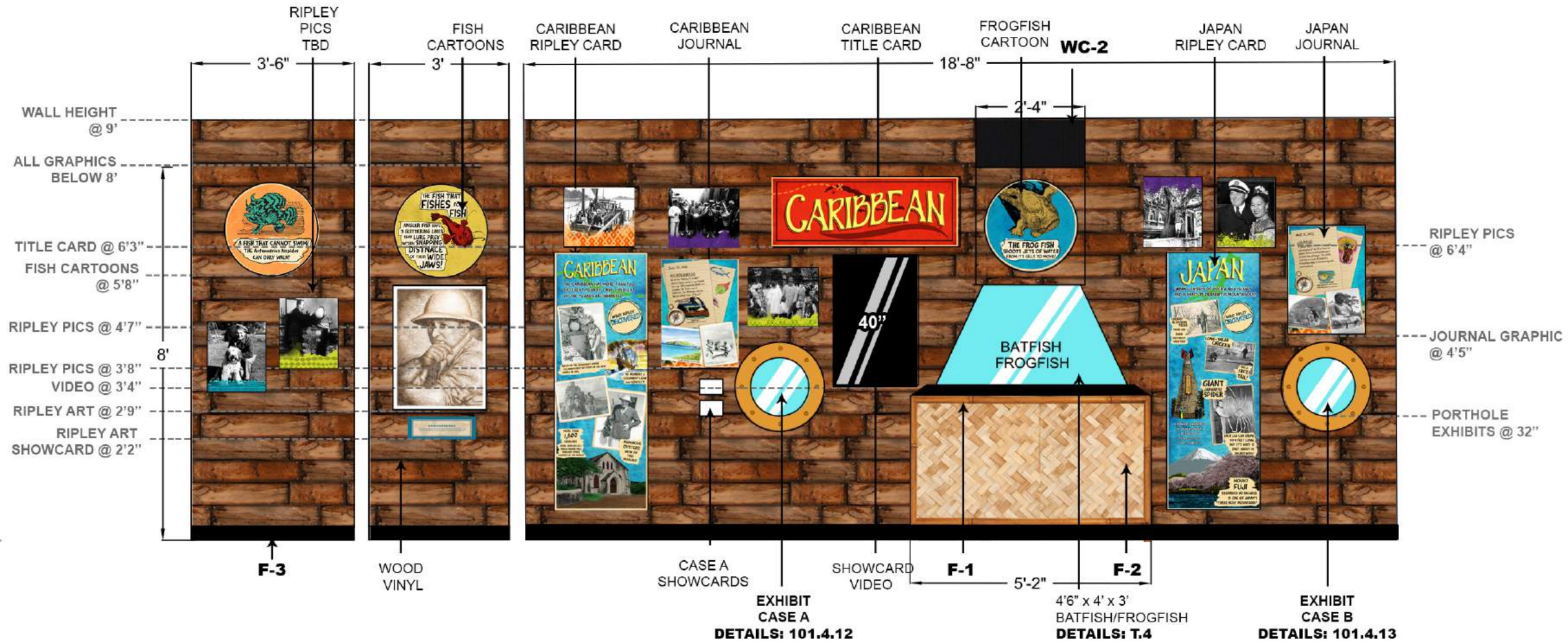
#18507 #11179 #168783  
EXHIBIT CASE A



#4936 #9449 #5704  
EXHIBIT CASE B



KEY PLAN



FINISHES



F-1 [FINISH 1]  
FLAT BAMBOO STRIP  
safarihatch.com



F-2 [FINISH 2]  
BAMBOO PLYWOOD  
safarihatch.com



F-3 [FINISH 3]  
FLEXCO Vinyl Wall Base  
BLACK  
Item # 378981  
lowes.com



WC-2 [WALL CARPET 2]  
CROSSPOINT  
SKU: FABCRO00503  
54" Wide SOLD BY YD.  
acousticalsolutions.com

9 ELEVATION B.4  
SCALE: 3/8" = 1'

RIPLEY

ENTERTAINMENT, INC.  
7576 KINGSPONTE PKWY #188  
ORLANDO, FLORIDA 32819  
(407).345.8010

WWW.RIPLEYS.COM

PROJECT LOCATION:

TORONTO

NOTES:

PROJECT TITLE:



DATE:

12/17

REVISED DATE:

SCALE:

3/8" = 1'

DRAWN BY:

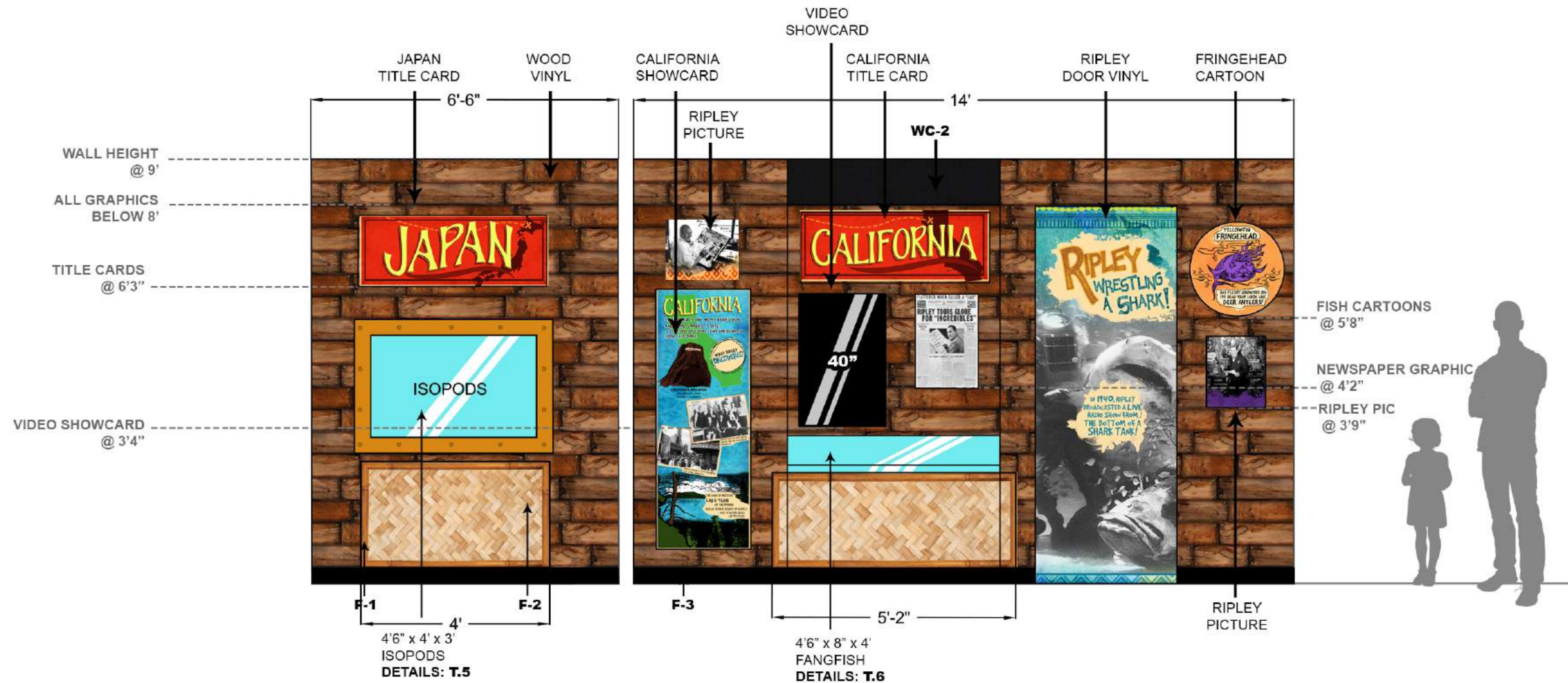
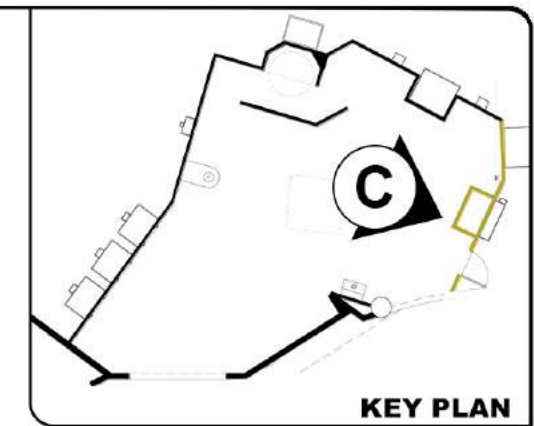
CCOYLE

APPROVED BY:

SHEET #

101.2.4  
ELEVATION B





**FINISHES**



**F-1 [FINISH 1]**  
**FLAT BAMBOO STRIP**  
safarihatch.com



**F-2 [FINISH 2]**  
**BAMBOO PLYWOOD**  
safarihatch.com



**F-3 [FINISH 3]**  
**FLEXCO Vinyl Wall Base**  
BLACK  
Item # 378981  
lowes.com

**10 ELEVATION C**  
SCALE: 3/8" = 1'

**RIPLEY**

ENTERTAINMENT, INC.  
7576 KINGSPOINTE PKWY #188  
ORLANDO, FLORIDA 32819  
(407).345.8010

WWW.RIPLEYS.COM

PROJECT LOCATION:

**TORONTO**

NOTES:

PROJECT TITLE:



DATE:

**12/17**

REVISED DATE:

SCALE: 3/8" = 1'

DRAWN BY:

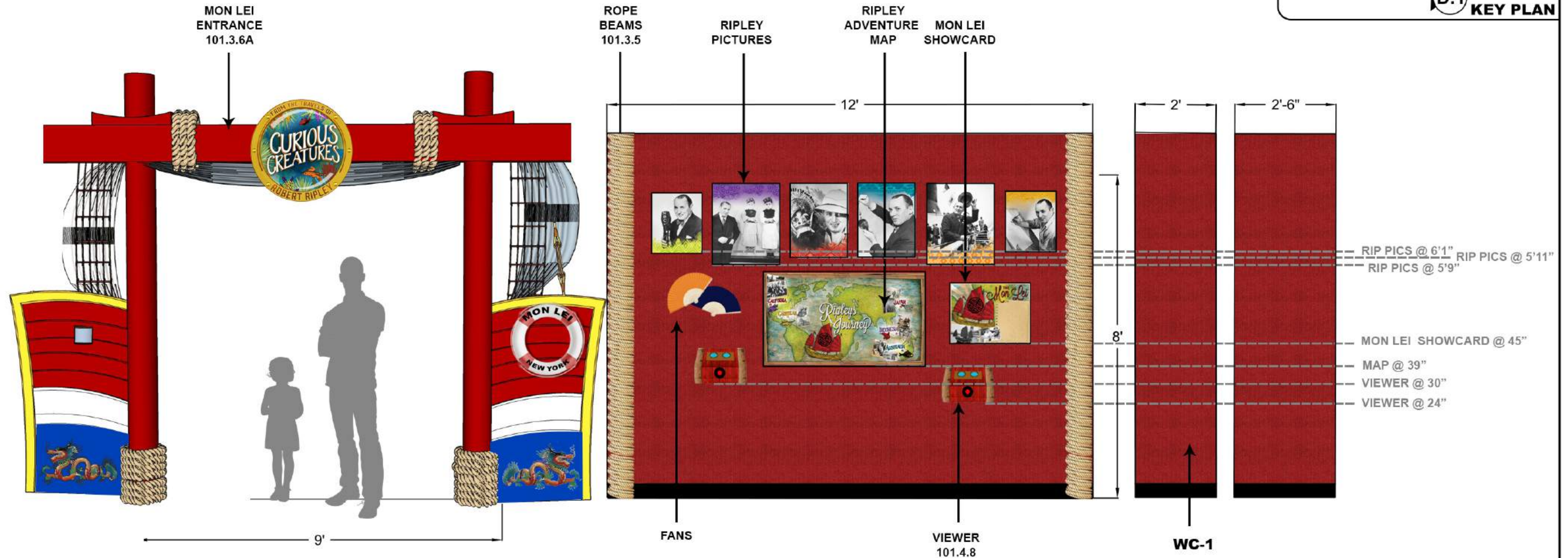
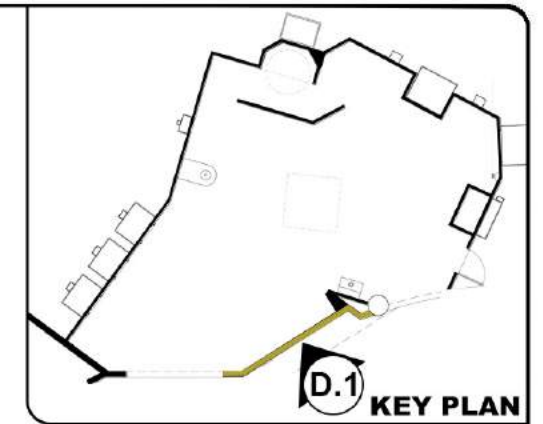
**CCOYLE**

APPROVED BY:

SHEET #

**101.2.5**  
**ELEVATION C**





**FINISHES**



**F-3 [FINISH 3]**  
**FLEXCO Vinyl Wall Base**  
 BLACK  
 Item # 378981  
 lowes.com



**WC-1 [WALL CARPET 1]**  
**CROSSPOINT**  
 SKU: FABCRO00800  
 54" Wide SOLD BY YD.  
 acousticalsolutions.com

**11 ELEVATION D.1**  
 SCALE: 3/8" = 1'

**RIPLEY**  
 ENTERTAINMENT, INC.  
 7576 KINGSPOINTE PKWY #188  
 ORLANDO, FLORIDA 32819  
 (407).345.8010  
 WWW.RIPLEYS.COM

PROJECT LOCATION:  
**TORONTO**  
 NOTES:

PROJECT TITLE:



DATE:  
**12/17**  
 REVISED DATE:  
 SCALE:  
**3/8" = 1'**

DRAWN BY:  
**CCOYLE**  
 APPROVED BY:

SHEET #  
**101.2.6**  
 ELEVATION C

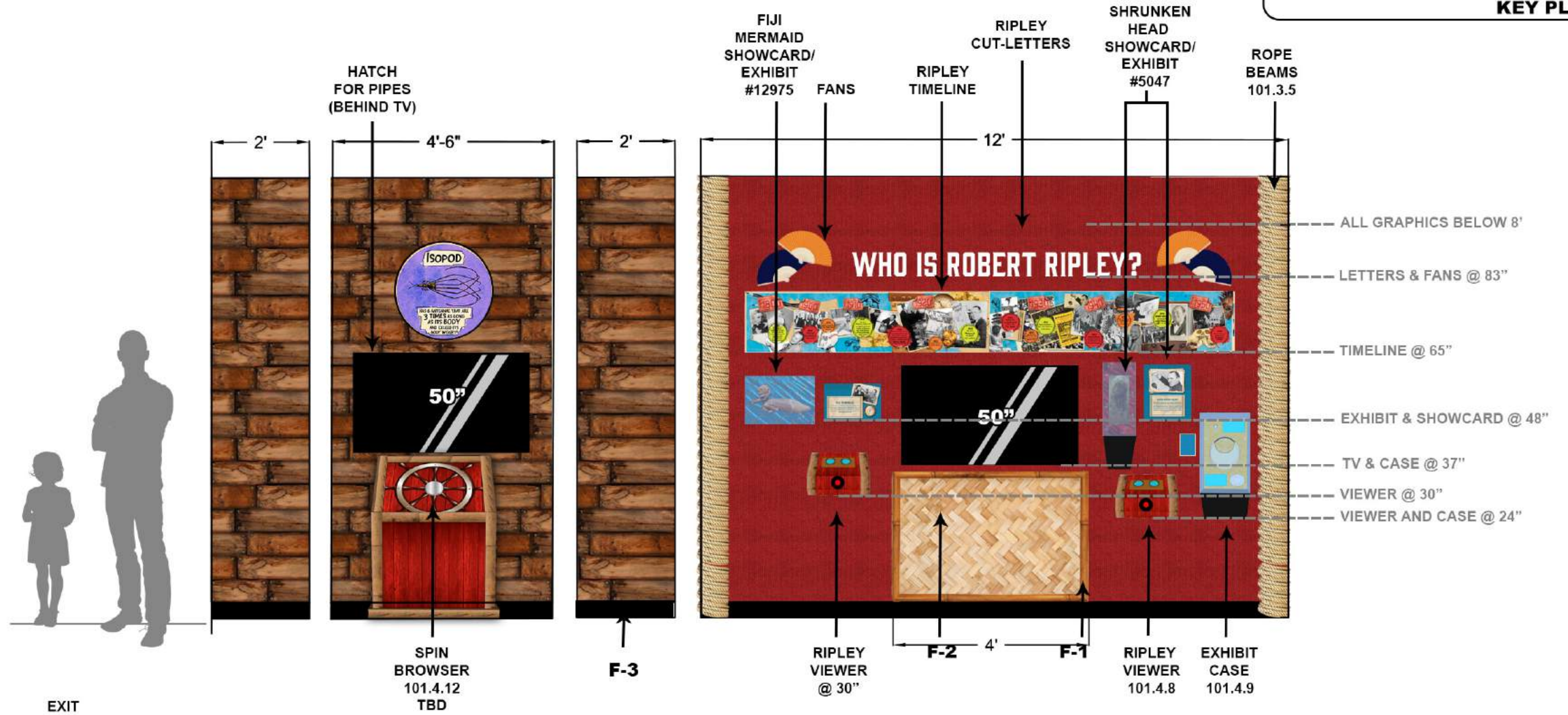
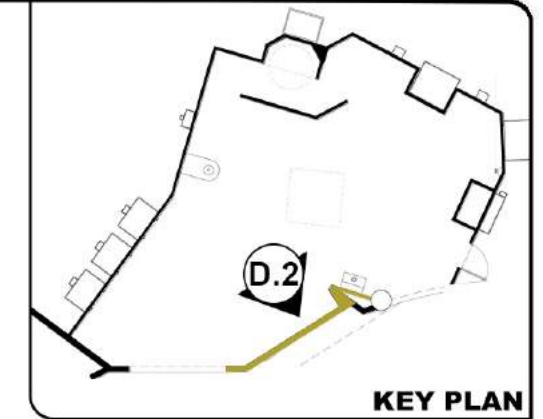




### NOTES

-HATCH DIMENSIONS: 2' X 2'.  
COULD BE A ISSUE GETTING TO  
THE PIPES IF THE TV IS MOUNTED  
OVER THE HATCH.

**Multi Purpose Metal  
Access Panel, Key Lock**  
ITEM: T9F602332  
DIM: 24" x 24"  
\$39.95  
globalindustrial.com



### FINISHES

**F-1 [FINISH 1]  
FLAT BAMBOO STRIP**  
safarithatch.com

**F-2 [FINISH 2]  
BAMBOO PLYWOOD**  
safarithatch.com

**WC-1 [WALL CARPET 1]  
CROSSPOINT**  
SKU: FABCRO00800  
54" Wide SOLD BY YD.  
acousticalsolutions.com

**F-3 [FINISH 3]  
FLEXCO Vinyl Wall Base**  
BLACK  
Item # 378981  
lowes.com

**12 ELEVATION D.2**  
SCALE: 3/8" = 1'

**RIPLEY**  
ENTERTAINMENT, INC.  
7576 KINGSPONTE PKWY #188  
ORLANDO, FLORIDA 32819  
(407).345.8010  
  
WWW.RIPLEYS.COM

PROJECT LOCATION:  
**TORONTO**  
  
NOTES:

PROJECT TITLE:

DATE:  
**12/17**  
REVISED DATE:  
  
SCALE:  
**3/8" = 1'**

DRAWN BY:  
**CCOYLE**  
  
APPROVED BY:

SHEET #  
**101.2.7**  
**ELEVATION**  
**D.2**





EXHIBITS



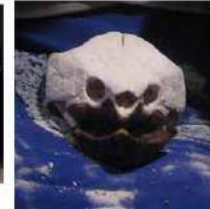
#17933



#6916



#14903



#13238



#13219

NOTES

6' X 6' COVERAGE IN CENTER OF ROOM  
-NEED "RIPLEY" AND "TOUCH THE PEARL" STENCIL TO BE PAINTED IN RED ON CRATES



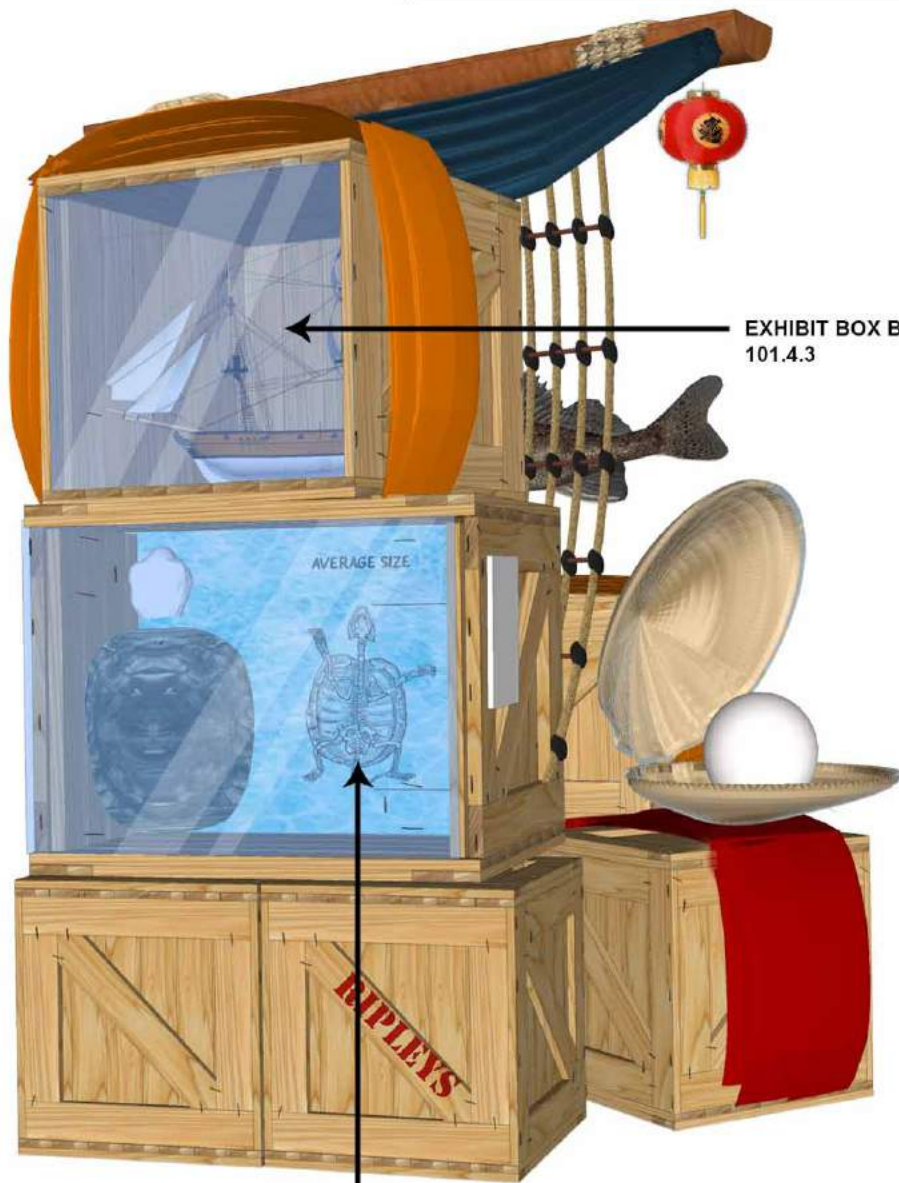
CHINESE LANTERN  
PART #LAN002B  
\$11.99  
QTY: 2  
amazon.com



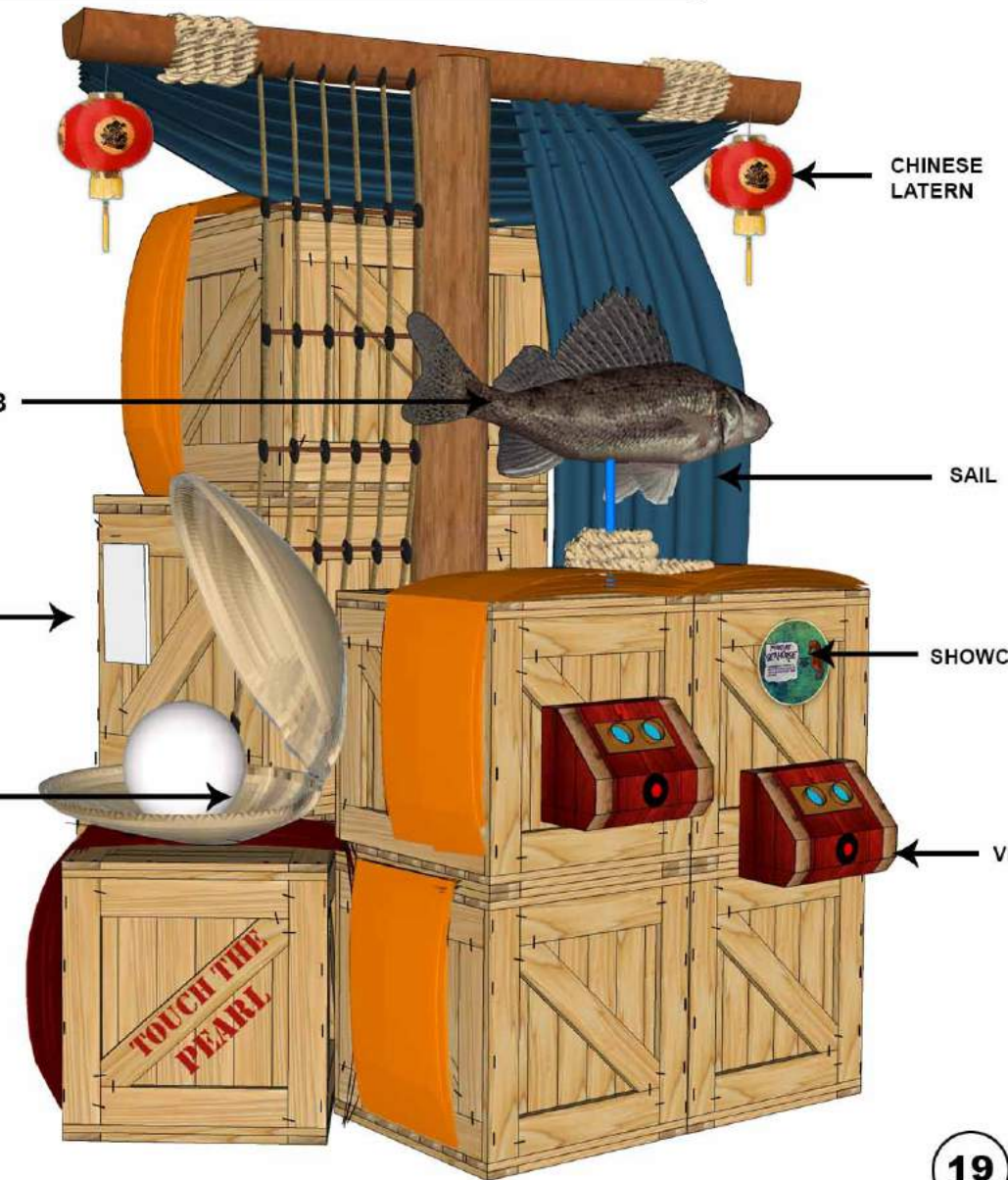
VARIOUS BOHEMIAN/CHINESE TAPESTRIES  
QTY: 3  
TBD

CRATES

- 7- 24" X 24"
- 1- 3'6"w x 2'10"h x 2'7"d
- 1- 2'10"w x 2'7"h x 2'10"d



CONCEPT RENDER



19 MON LEI CENTERPIECE  
SCALE: NOT TO SCALE

**RIPLEY**  
ENTERTAINMENT, INC.  
7576 KINGSPOINTE PKWY #188  
ORLANDO, FLORIDA 32819  
(407).345.8010  
  
WWW.RIPLEYS.COM

PROJECT LOCATION:  
**TORONTO**  
  
NOTES:

PROJECT TITLE:  
  


DATE:  
**12/17**  
REVISED DATE:  
  
SCALE:  
**NOT TO SCALE**

DRAWN BY:  
**CCOYLE**  
  
APPROVED BY:

SHEET #  
  
**101.4.1**  
**MON LEI**  
**CENTERPIECE**





#13219



#13238

**EXHIBITS**



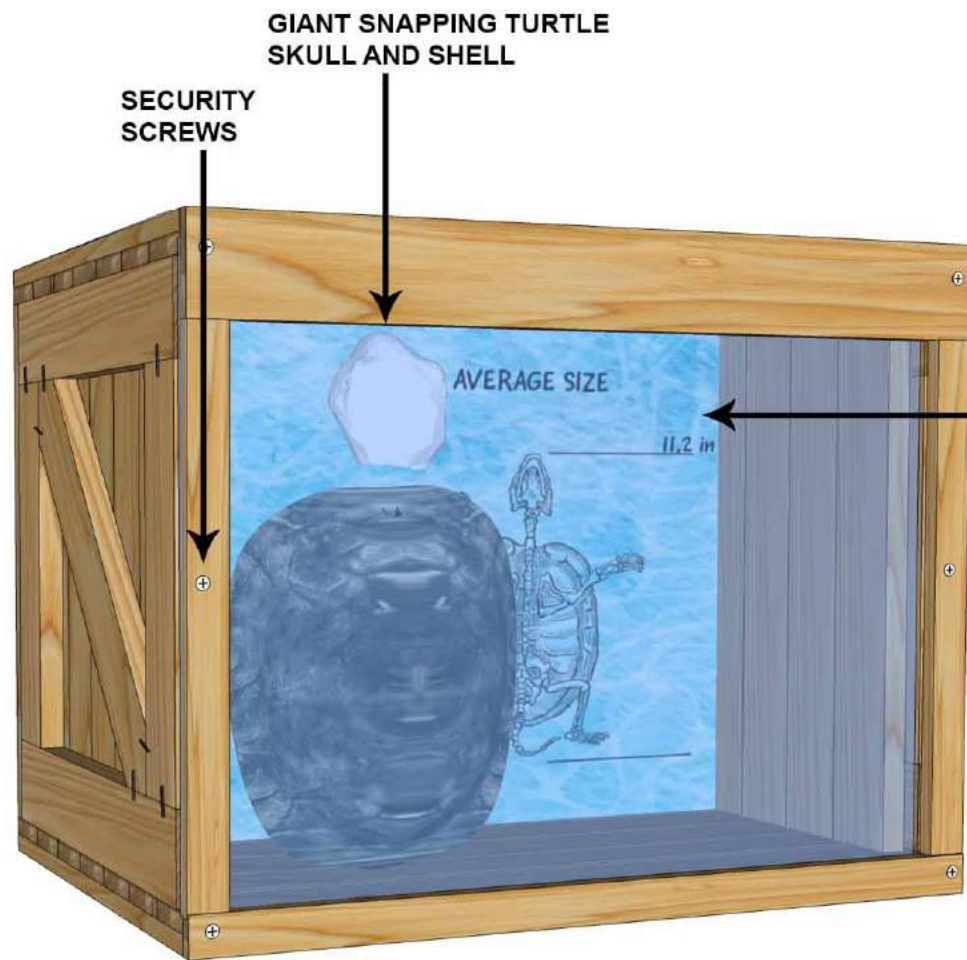
Reusable 2 Way  
Security Fasteners  
TBD  
fastenright.com



EXTRUDED CUT  
ACRYLIC  
2'6" x 3'  
acmeplastics.com

**PARTS REFERENCE**

- NOTES**
- LEDS SHOULD LIGHT THE EXHIBIT.
  - USE SECURITY SCREWS FROM FRAME.
  - SCREW PLEXIGLASS TO WOOD FRAME FROM THE BACK.



GIANT SNAPPING TURTLE  
SKULL AND SHELL

SECURITY  
SCREWS

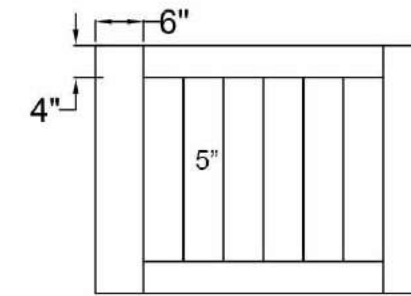
AVERAGE SIZE

11.2 in

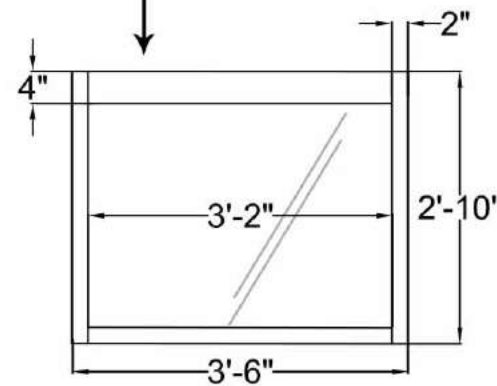
GRAPHIC  
TBD

FRAME TO HAVE 4" TOP TO COVER LED  
LIGHTING

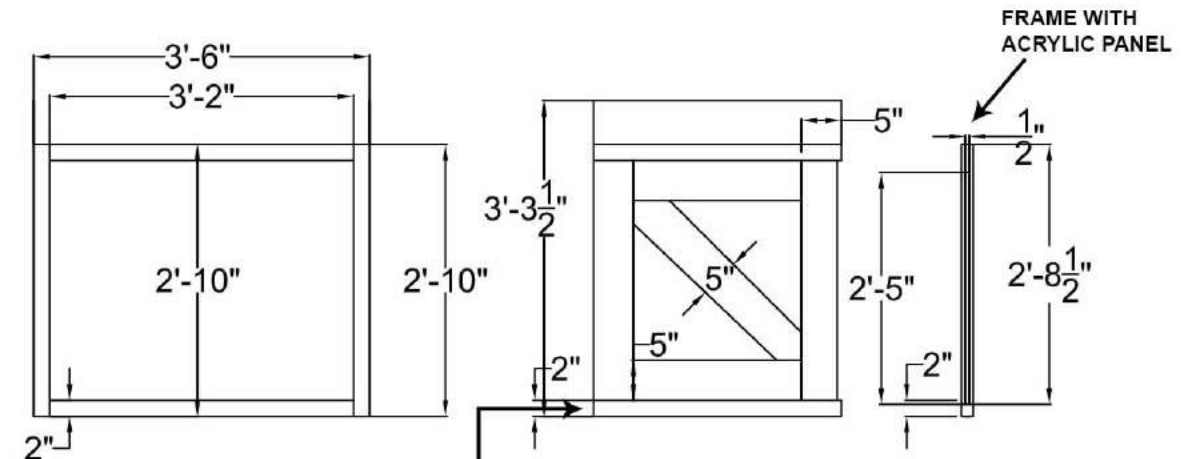
WOOD FRAME WITH  
ACRYLIC PANEL



**TOP ELEVATION**



**FRONT ELEVATION**



**SIDE ELEVATION**

**CONCEPT RENDER**  
NOT TO SCALE

**20 EXHIBIT BOX A**  
SCALE: 1/2" = 1'

**RIPLY**  
ENTERTAINMENT, INC.  
7576 KINGSPONTE PKWY #188  
ORLANDO, FLORIDA 32819  
(407).345.8010  
  
WWW.RIPLEYS.COM

PROJECT LOCATION:  
**TORONTO**  
  
NOTES:

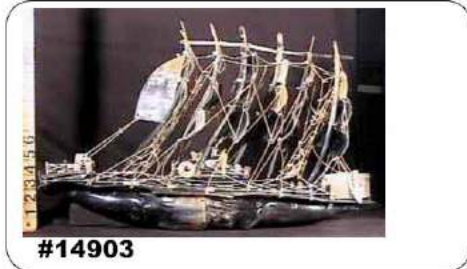
PROJECT TITLE:

DATE:  
**12/17**  
REVISED DATE:  
  
SCALE:  
**NOT TO SCALE**

DRAWN BY:  
**CCOYLE**  
  
APPROVED BY:

SHEET #  
  
**101.4.2**  
**EXHIBIT BOX**  
**A**

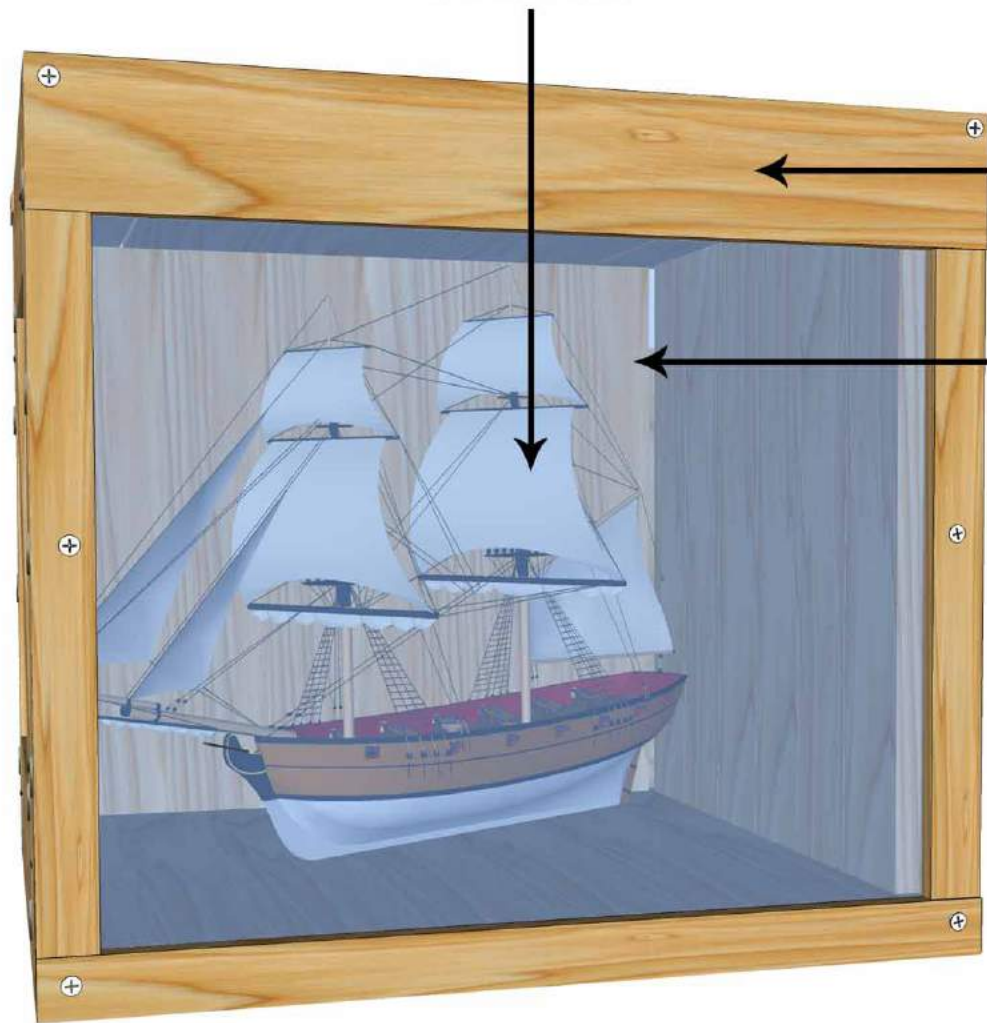




#14903

EXHIBIT

COW BONE SHIP

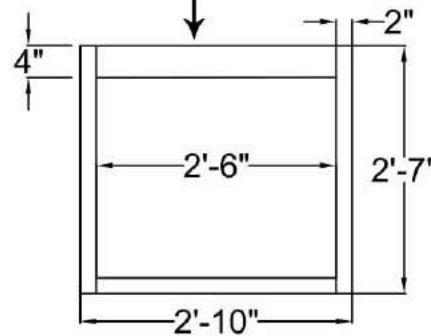


CONCEPT RENDER  
NOT TO SCALE

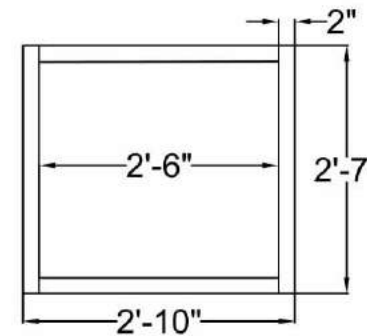
FRAME TO HAVE 4" TOP TO COVER LED LIGHTING

BACKGROUND GRAPHIC TBD

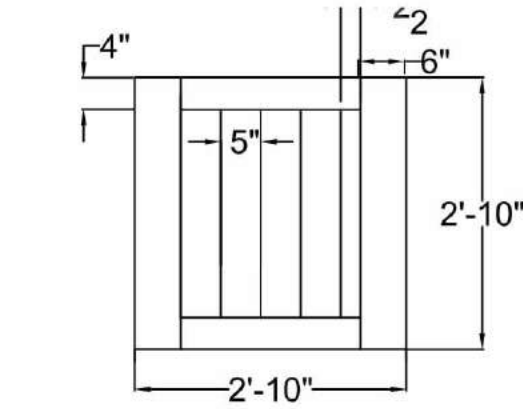
WOOD FRAME WITH ACRYLIC PANEL



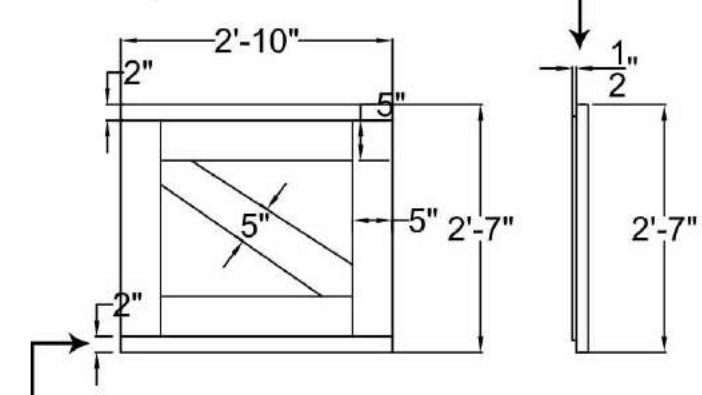
FRONT ELEVATION



FRONT ELEVATION



TOP ELEVATION



SIDE ELEVATION

2" DIA WITH GROMMETS FOR WIRING IN BACK OF BOX

21 EXHIBIT BOX B  
SCALE: 1/2" = 1'

 Reusable 2 Way Security Fasteners  
TBD  
fastenright.com

PARTS REFERENCE

 EXTRUDED CUT ACRYLIC  
2'6" x 2'7"  
acmeplastics.com

- NOTES**
- LEDS SHOULD LIGHT THE EXHIBIT.
  - USE SECURITY SCREWS FROM FRAME.
  - SCREW PLEXIGLASS TO WOOD FRAME FROM THE BACK.

**RIPLY**  
ENTERTAINMENT, INC.  
7576 KINGSPONTE PKWY #188  
ORLANDO, FLORIDA 32819  
(407).345.8010  
  
WWW.RIPLEYS.COM

PROJECT LOCATION:  
**TORONTO**  
  
NOTES:

PROJECT TITLE:

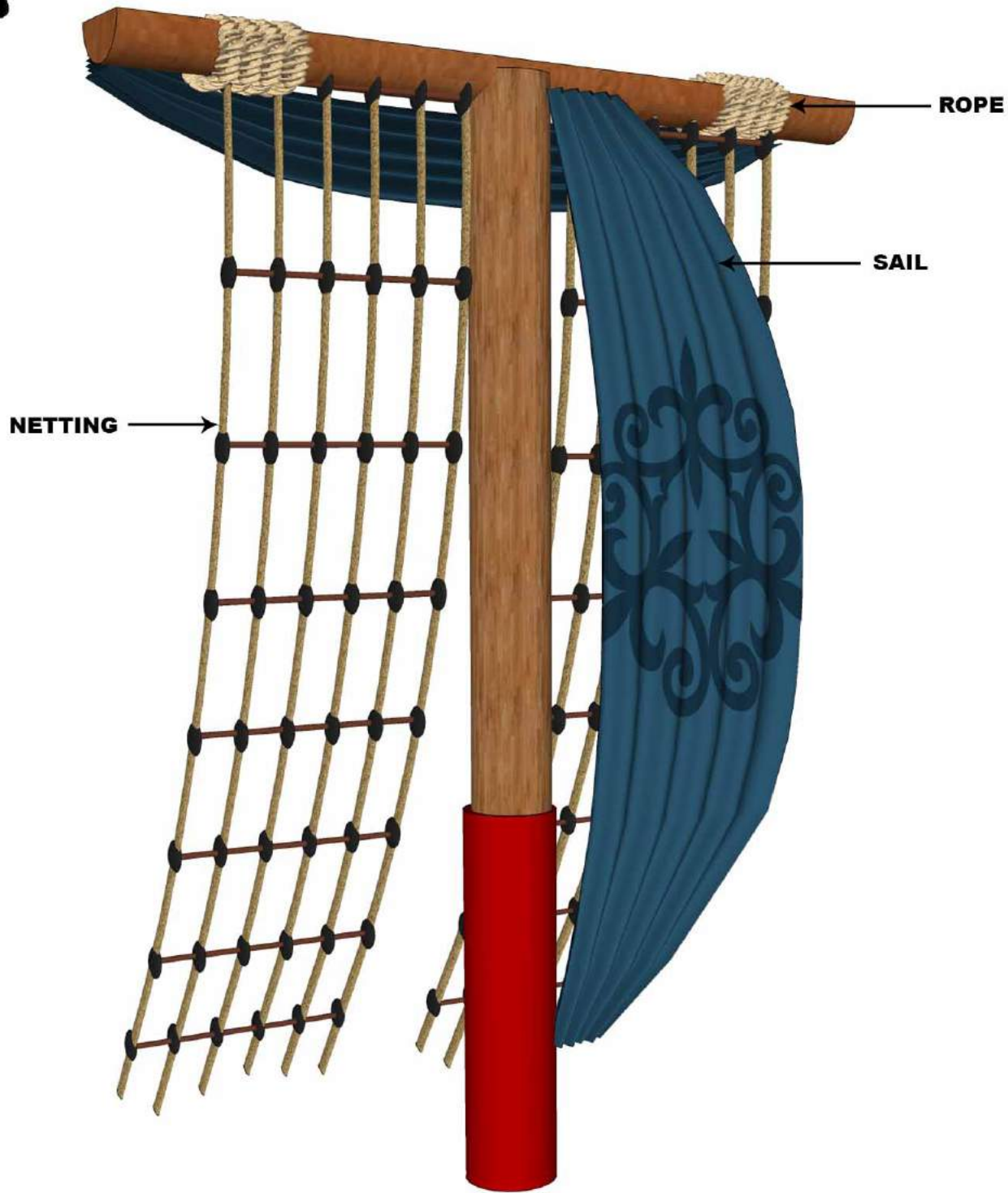


DATE:  
**12/17**  
REVISED DATE:  
  
SCALE:  
**NOT TO SCALE**

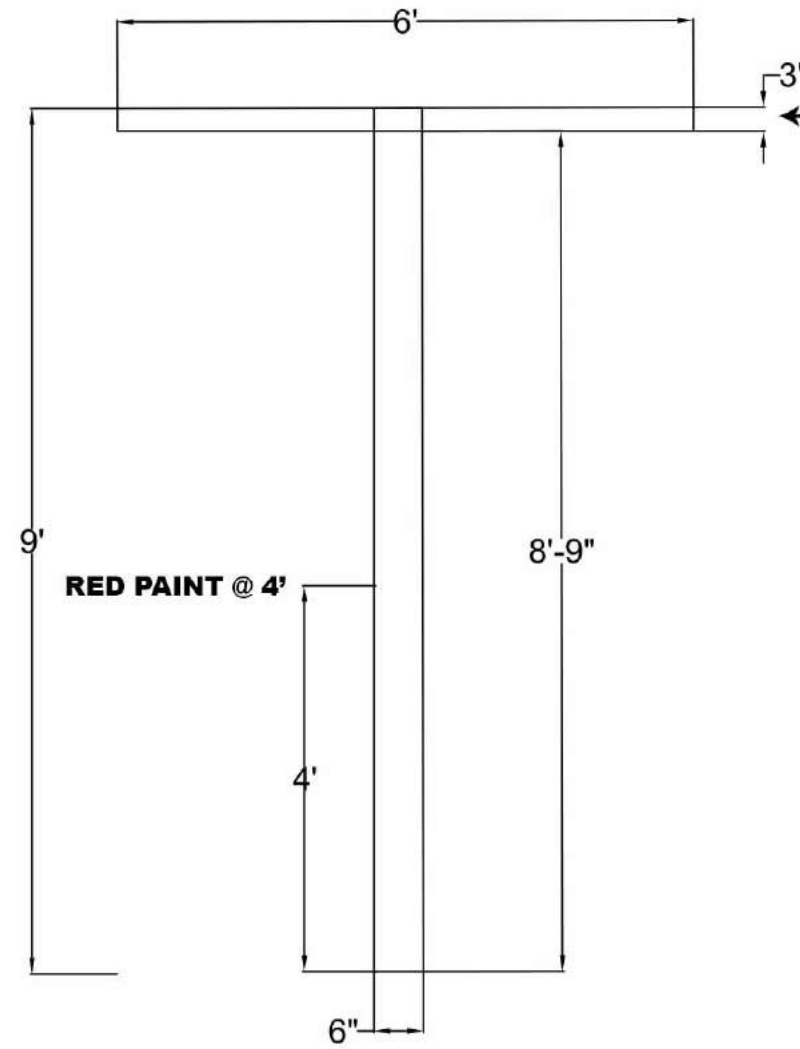
DRAWN BY:  
**CCOYLE**  
  
APPROVED BY:

SHEET #  
  
**101.4.3**  
**EXHIBIT BOX**  
**B**

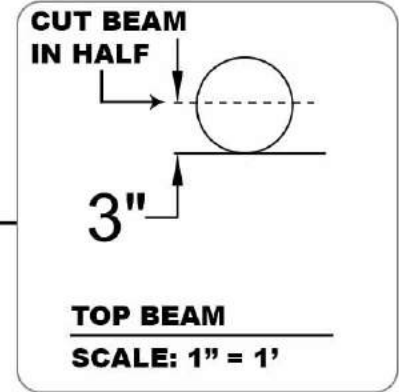




MON LEI SAIL REFERENCE



FRONT ELEVATION  
SCALE: 1/2" = 1'



**NOTES**

- WILL NEED TO CREATE VECTOR OF DESIGN FOR MON LEI SAIL AND HAVE PRINTED ON CANVAS FABRIC.

**PAINT REFERENCE**



**22 MON LEI BEAM**  
SCALE: NOT TO SCALE

**RIPLEY**  
ENTERTAINMENT, INC.  
7576 KINGSPOINTE PKWY #188  
ORLANDO, FLORIDA 32819  
(407).345.8010  
  
WWW.RIPLEYS.COM

PROJECT LOCATION:  
**TORONTO**  
  
NOTES:

PROJECT TITLE:

DATE:  
**12/17**  
REVISED DATE:  
  
SCALE:  
**NOT TO SCALE**

DRAWN BY:  
**CCOYLE**  
  
APPROVED BY:

SHEET #  
  
**101.4.4**  
**MON LEI**  
**BEAM**





**PARTS REFERENCE**



**3/8 in. x 50 ft. Natural Twisted Sisal Rope**  
SKU #140937  
QTY: 2  
homedepot.com



**Sunbrella Sailcloth Sailor**  
Pattern #: 32000-0026  
\$36.95 / yd  
outdoorfabrics.com



**Bilipala Fishing Net; 75 Inch, Creamy White**  
\$10.95  
QTY: 4  
amazon.com



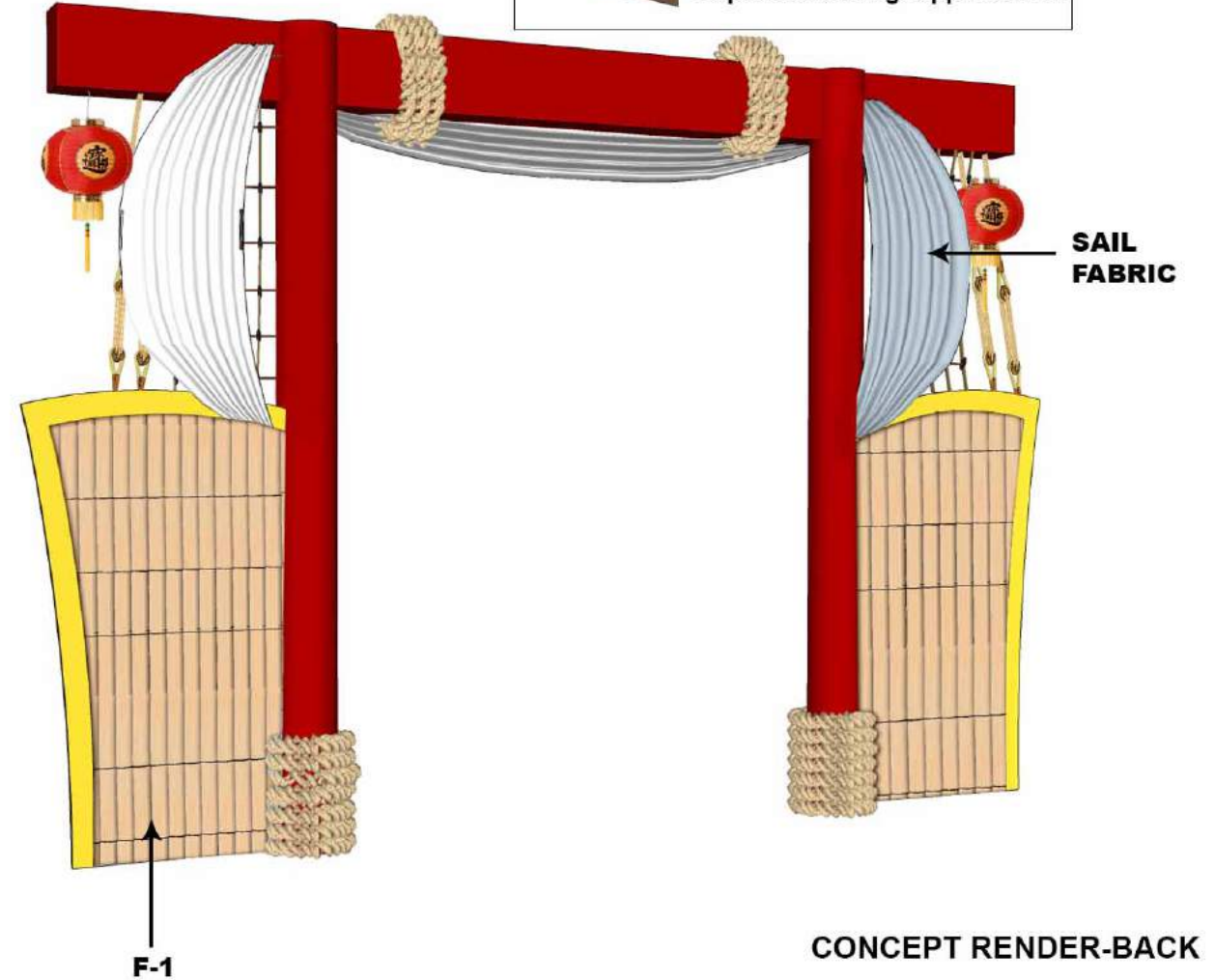
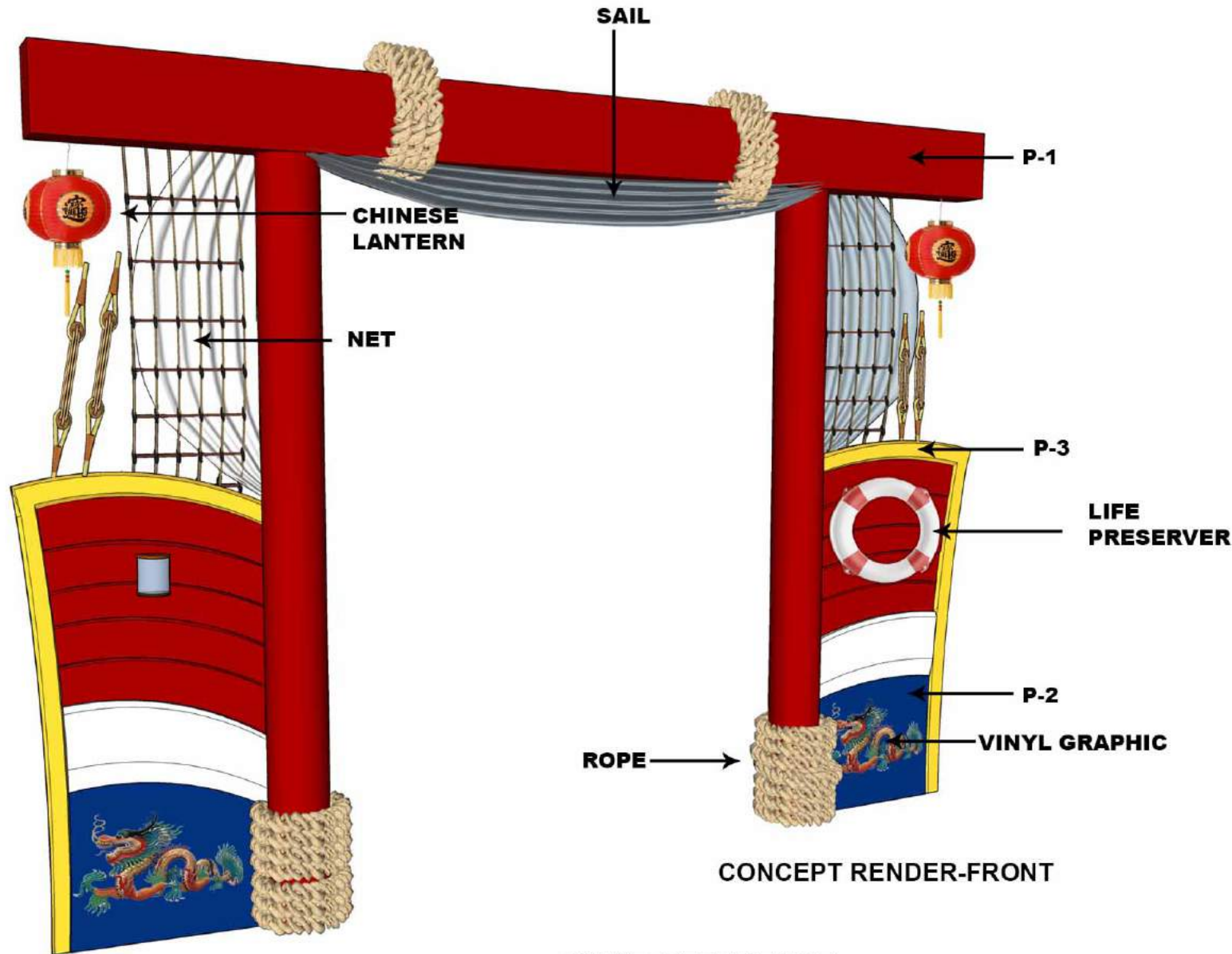
**CHINESE LANTERN PART #LAN002B**  
\$11.99  
QTY: 4  
amazon.com



**Nautical Home Port Life Ring Personalized**  
\$69.95  
QTY: 2  
amazon.com



**L-01: Superior Faux Log CUSTOM WALNUT**  
QTY: 2  
superiorbuildingsupplies.com



**PAINT REFERENCE**



**P-1 [PAINT 1]**  
SW 6868  
Real Red



**P-2 [PAINT 2]**  
SW 6966  
Blueblood



**P-3 [PAINT 3]**  
SW 6902  
Decisive Yellow

**23A MON LEI ENTRANCE**  
SCALE: NOT TO SCALE

**RIPLEY**  
ENTERTAINMENT, INC.  
7576 KINGSPONTE PKWY #188  
ORLANDO, FLORIDA 32819  
(407).345.8010  
  
WWW.RIPLEYS.COM

PROJECT LOCATION:  
**TORONTO**  
  
NOTES:

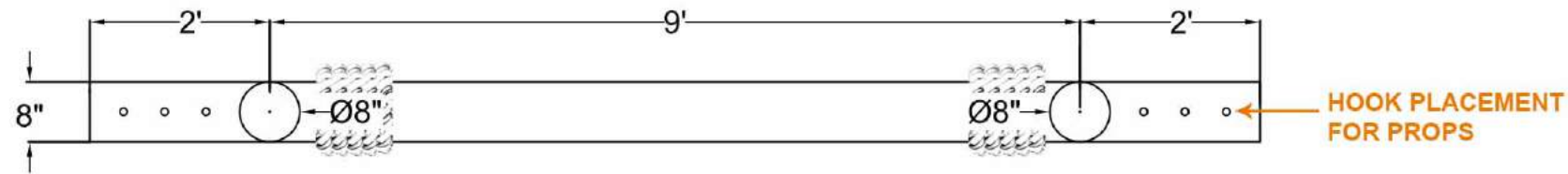
PROJECT TITLE:

DATE:  
**12/17**  
REVISED DATE:  
  
SCALE:  
**NOT TO SCALE**

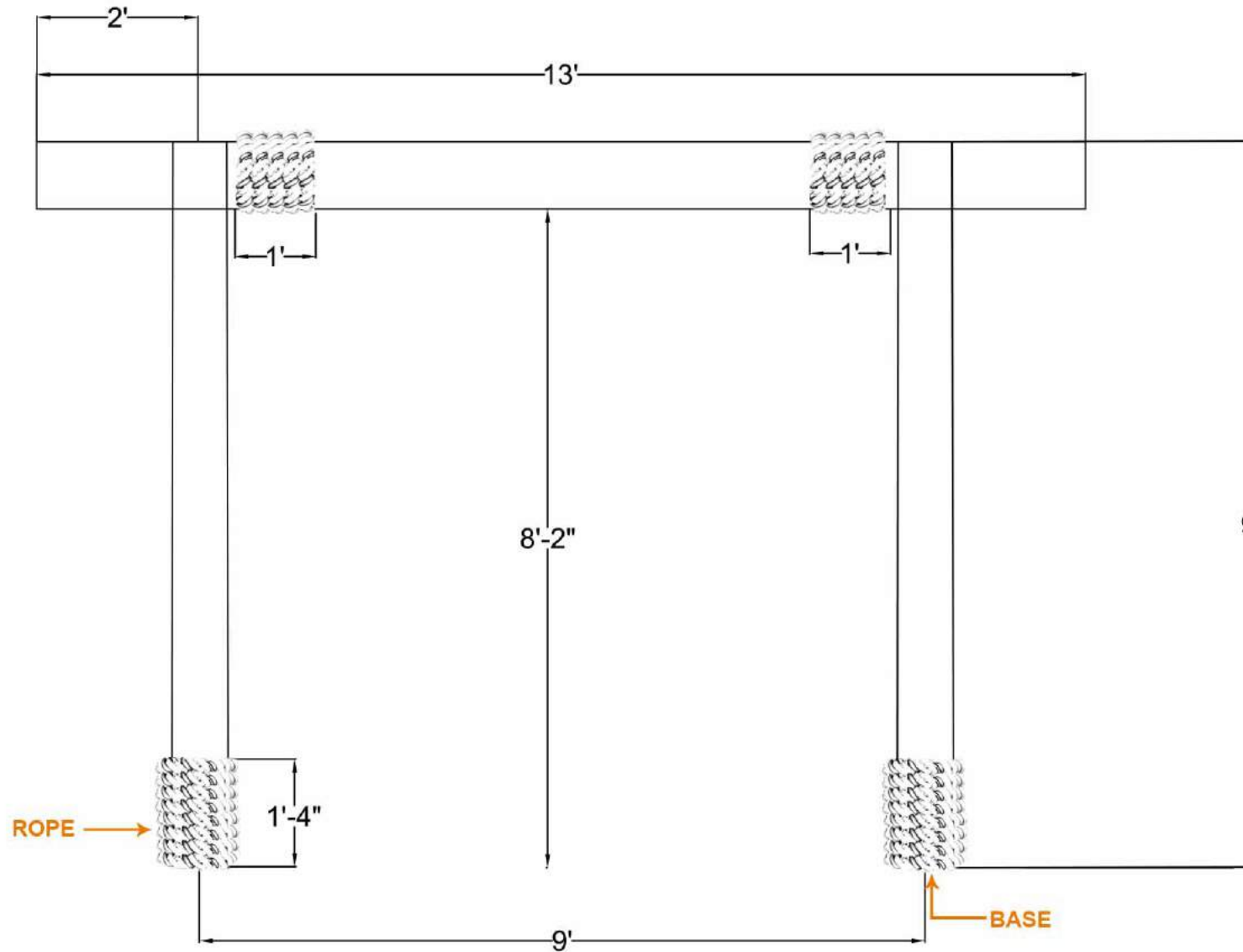
DRAWN BY:  
**CCOYLE**  
  
APPROVED BY:

SHEET #  
**101.4.5A**  
**MON LEI**  
**ENTRANCE**





**TOP ELEVATION**  
SCALE: 1/2" = 1'



**FRONT ELEVATION**  
SCALE: 1/2" = 1'

HOOK PLACEMENT FOR PROPS

ROPE → 1'-4"

BASE



**BASE REFERENCE**



**NOTES**

- WILL NEED A BASE TO STABILIZE THE FRAME
- WRAP ROPE AROUND BASE ON BOTTOM OF POLE.

**PARTS REFERENCE**



**3/8 in. x 50 ft. Natural Twisted Sisal Rope**  
SKU #140937  
QTY: 2  
homedepot.com



L-01: Superior Faux Log  
CUSTOM WALNUT  
QTY: 2  
superiorbuildingsupplies.com



STB 25 - Raised Grain Faux Wood Beam  
CUSTOM WALNUT  
QTY: 1  
superiorbuildingsupplies.com

**23B MON LEI ENTRANCE - FRAME**  
SCALE: 1/2" = 1'

**RIPLEY**  
ENTERTAINMENT, INC.  
7576 KINGSPONTE PKWY #188  
ORLANDO, FLORIDA 32819  
(407).345.8010  
  
WWW.RIPLEYS.COM

PROJECT LOCATION:  
**TORONTO**  
  
NOTES:

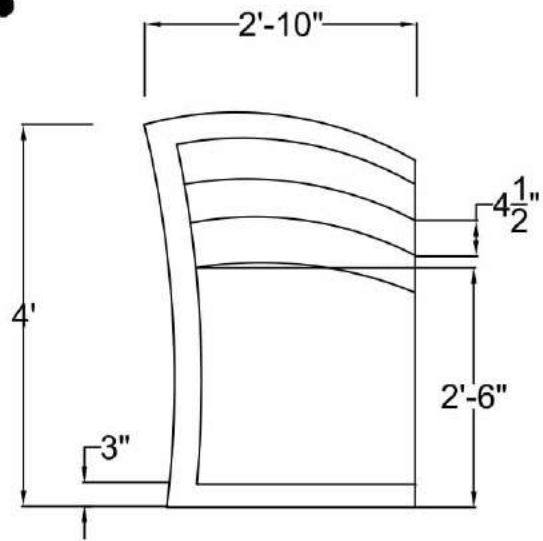
PROJECT TITLE:

DATE:  
**12/17**  
REVISED DATE:  
  
SCALE:  
**1/2" = 1'**

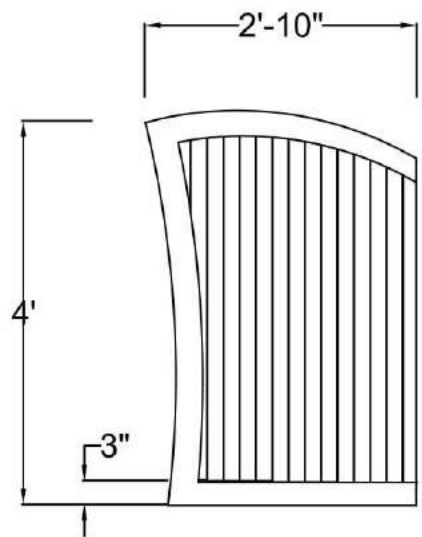
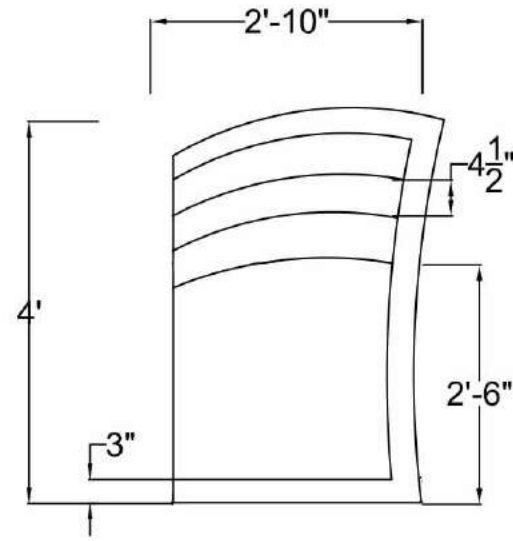
DRAWN BY:  
**CCOYLE**  
  
APPROVED BY:

SHEET #  
  
**101.4.5B**  
**MON LEI**  
**ENTRANCE**  
**FRAME**



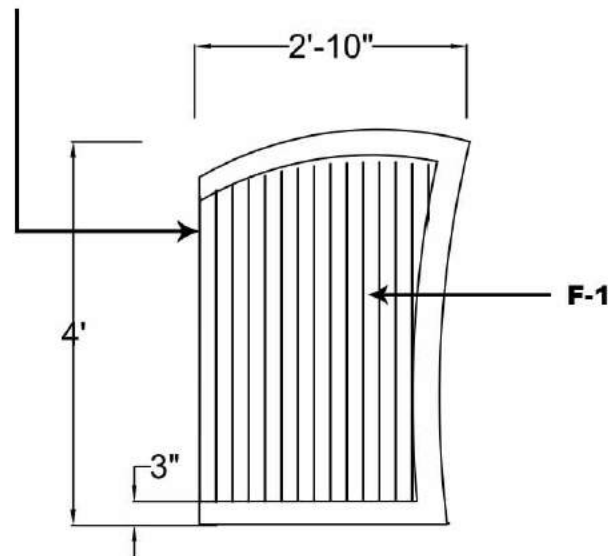


**FRONT ELEVATION**  
SCALE: 1/2" = 1'



**BACK ELEVATION**  
SCALE: 1/2" = 1'

**BAMBOO @ 2"W**



**FINISHES**



**F-1 [FINISH 1]**  
**FLAT BAMBOO STRIP**  
safarihatch.com

**NOTES**

**-HAVE DETACHABLE FROM FRAMES FOR ANGLE FLEXIBILITY ON SITE**

**-BAMBOO NEEDS TO BE CUT TO FRAME.**

**23C MON LEI ENTRANCE/EXIT - SIDE PANELS**  
SCALE: 1/2" = 1'

**RIPLEY**  
ENTERTAINMENT, INC.  
7576 KINGSPONTE PKWY #188  
ORLANDO, FLORIDA 32819  
(407).345.8010  
  
WWW.RIPLEYS.COM

PROJECT LOCATION:  
**TORONTO**  
  
NOTES:

PROJECT TITLE:

DATE:  
**12/17**  
REVISED DATE:  
  
SCALE:  
**1/2" = 1'**

DRAWN BY:  
**CCOYLE**  
  
APPROVED BY:

SHEET #  
**101.4.5C**  
**MON LEI**  
**ENTRANCE**  
**EXIT PANELS**





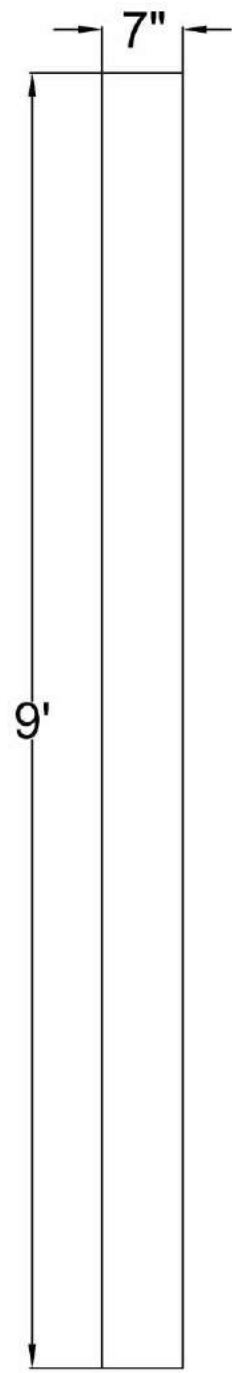
WOOD POST

ROPE

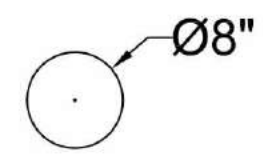
BASE



ELEVATION REFERENCE (D.2)

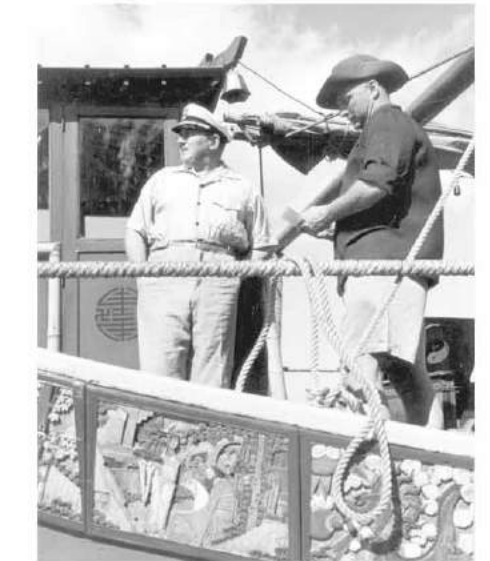


FRONT ELEVATION  
SCALE: 3/4" = 1'



**NOTES**

- WRAP ROPE AROUND POST
- WILL NEED 4 POSTS
- WILL NEED A BASE TO STABILIZE THE POLE ON THE FLOOR



SHIP REFERENCE

**PARTS REFERENCE**



**3/8 in. x 50 ft.  
Natural Twisted  
Sisal Rope**  
SKU #140937  
QTY: 2  
homedepot.com



L-01: Superior Faux Log  
CUSTOM WALNUT  
QTY: 4  
superiorbuildingsupplies.com

24

**ROPE BEAM**  
SCALE: 3/4" = 1'

CONCEPT RENDER  
SCALE: NOT TO SCALE

**RIPLEY**  
ENTERTAINMENT, INC.  
7576 KINGSPOINTE PKWY #188  
ORLANDO, FLORIDA 32819  
(407).345.8010  
  
WWW.RIPLEYS.COM

PROJECT LOCATION:  
**TORONTO**  
  
NOTES:

PROJECT TITLE:  
  


DATE:  
**12/17**  
REVISED DATE:  
  
SCALE:  
**1" = 1'**

DRAWN BY:  
**CCOYLE**  
  
APPROVED BY:

SHEET #  
**101.4.6**  
**ROPE BEAM**





CARTOON CREATOR INTERACTIVE  
 KICKPLATE (F-3)  
 RIPLEY FIRST CARTOON

**CONCEPT RENDER-FRONT**  
 SCALE: NOT TO SCALE

WOOD WALLPAPER  
 FISH CARTOON  
 FIRST CARTOON SHOWCARD

**FINISH REFERENCE**

**WC-2 [WALL CARPET 2] CROSSPOINT**  
 SKU: FABCRO00503  
 54" Wide SOLD BY YD.  
 acousticalsolutions.com

**PARTS REFERENCE**

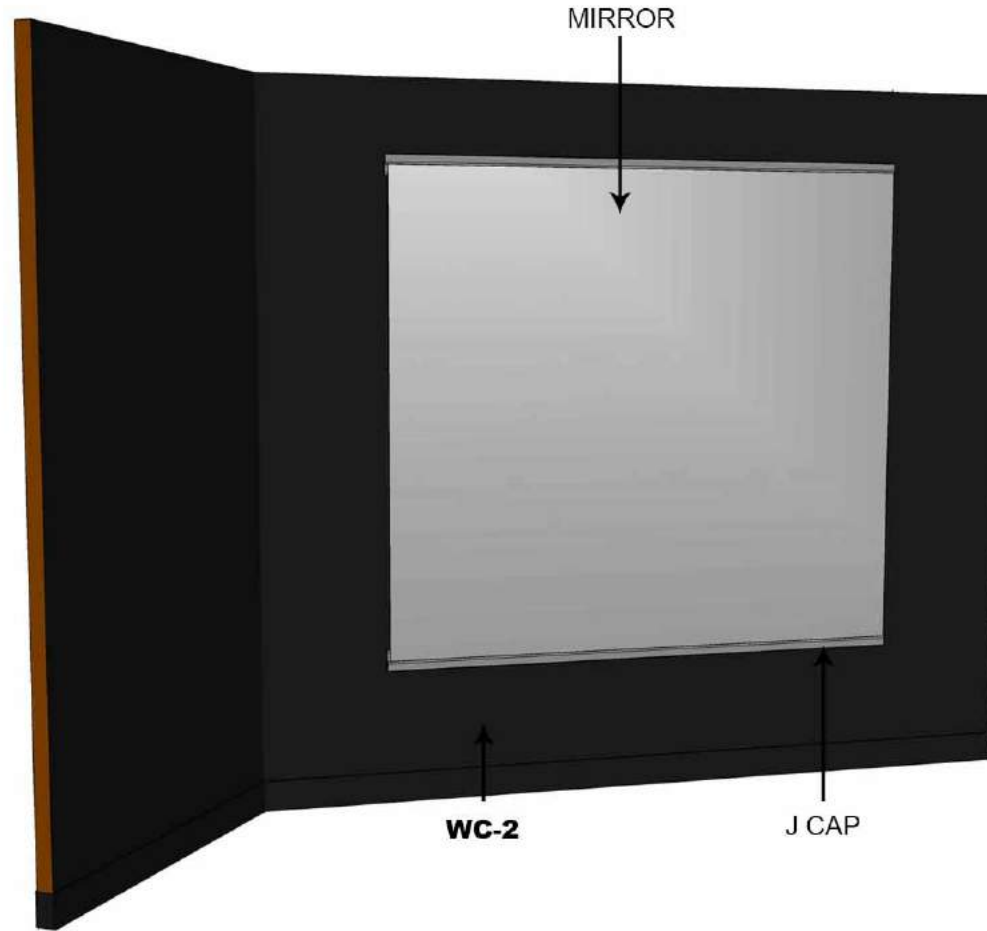
**Aluminum J-Cap - 1/4" Face for 3/32" Material**  
 Part#: E-82  
 QTY: 2  
 eagle-aluminum.com

**CLEAR GLASSLESS MIRROR**  
 72"W X 62"H  
 dullesglassandmirror.com

**F-3 [FINISH 3] FLEXCO Vinyl Wall Base BLACK**  
 Item # 378981  
 lowes.com

**NOTES**

- CAN ORDER MIRROR ON SITE AND APPLY.
- WOOD WALLPAPER AND WC-2 TO BE APPLIED TO 1/2" PLYWOOD.
- USE J-CAP TO ATTACH MIRROR TO WALL



**CONCEPT RENDER-BACK**  
 SCALE: NOT TO SCALE



**CARTOON INTERACTIVE REFERENCE (NIAGARA FALLS)**

**25A FLASHLIGHT FISH WALL**  
 SCALE: NOT TO SCALE

**RIPLEY**  
 ENTERTAINMENT, INC.  
 7576 KINGSPONTE PKWY #188  
 ORLANDO, FLORIDA 32819  
 (407).345.8010  
 WWW.RIPLEYS.COM

PROJECT LOCATION:  
**TORONTO**  
 NOTES:

PROJECT TITLE:

DATE:  
**12/17**  
 REVISED DATE:  
 SCALE:

DRAWN BY:  
**CCOYLE**  
 APPROVED BY:

SHEET #  
**101.4.7A**  
**FLASHLIGHT FISH WALL**



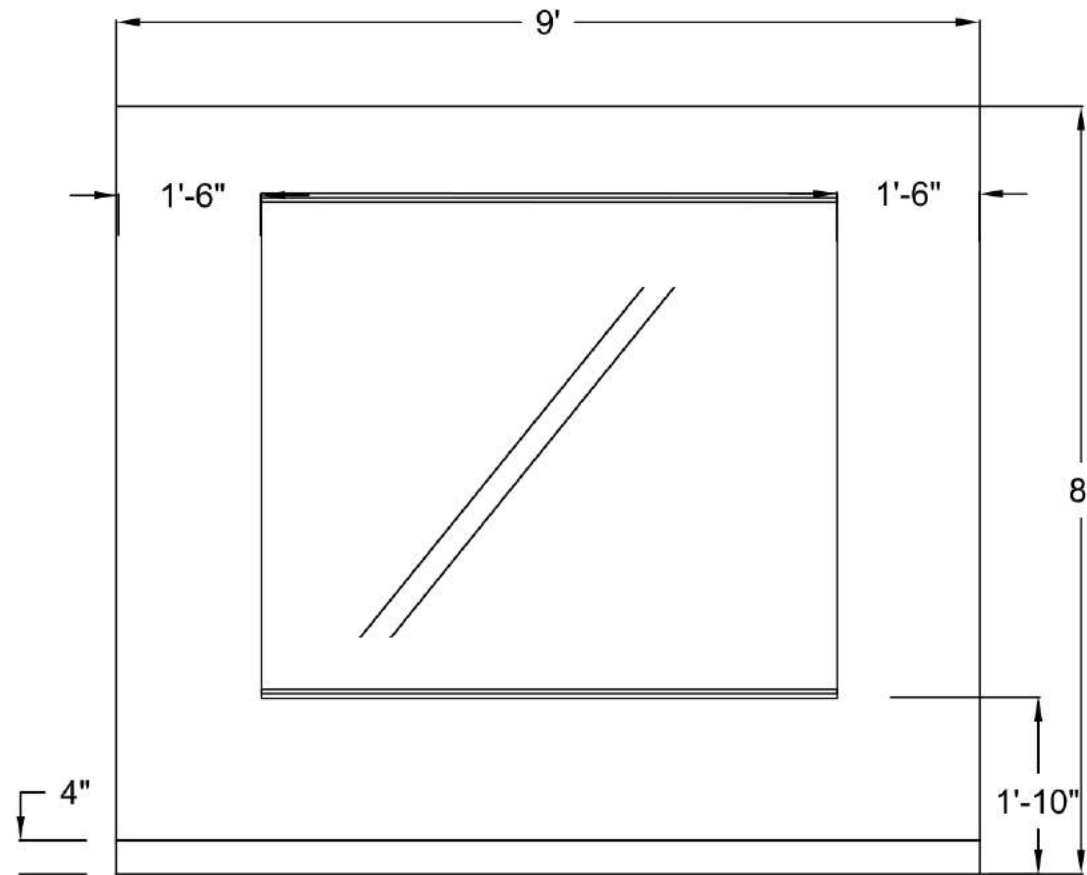


**PARTS REFERENCE**

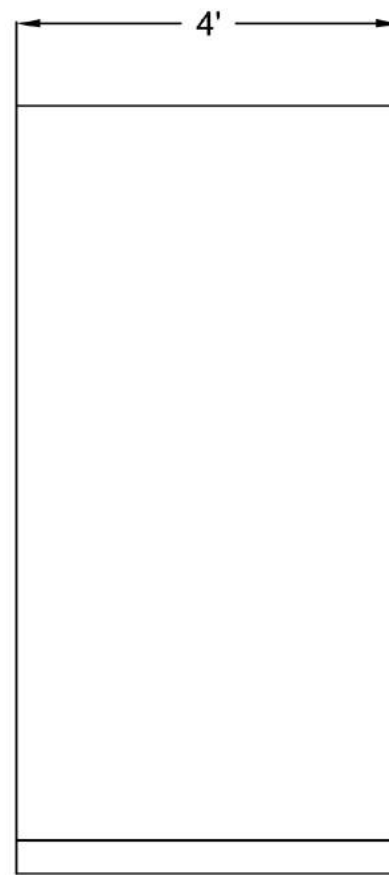
	<b>Aluminum J-Cap – 1/4" Face for 3/32" Material</b> Part#: E-82 QTY: 2 eagle-aluminum.com
	<b>CLEAR GLASSLESS MIRROR</b> 72"W X 62"H dullesglassandmirror.com
	<b>F-3 [FINISH 3] FLEXCO Vinyl Wall Base BLACK</b> Item # 378981 lowes.com

**NOTES**

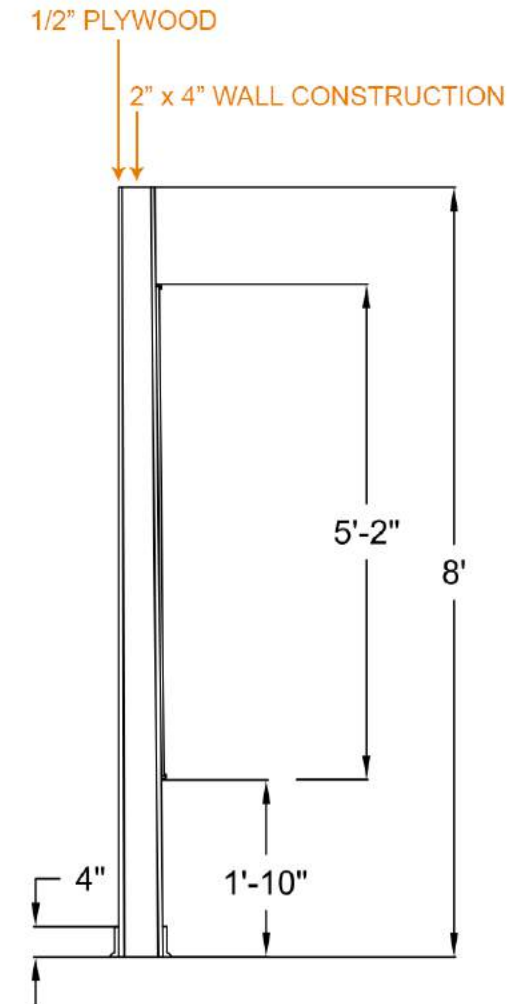
- CAN ORDER MIRROR ON SITE AND APPLY.
- WOOD WALLPAER AND WC-2 TO BE APPLIED TO 1/2" PLYWOOD.
- USE J-CAP TO ATTACH MIRROR TO WALL



**FRONT ELEVATION**  
SCALE: 1/2" = 1'



**SIDE ELEVATION**  
SCALE: 1/2" = 1'



**25B FLASHLIGHT FISH WALL**  
SCALE: 1/2" = 1'

**RIPLEY**  
ENTERTAINMENT, INC.  
7576 KINGSPONTE PKWY #188  
ORLANDO, FLORIDA 32819  
(407).345.8010  
  
WWW.RIPLEYS.COM

PROJECT LOCATION:  
**TORONTO**  
  
NOTES:

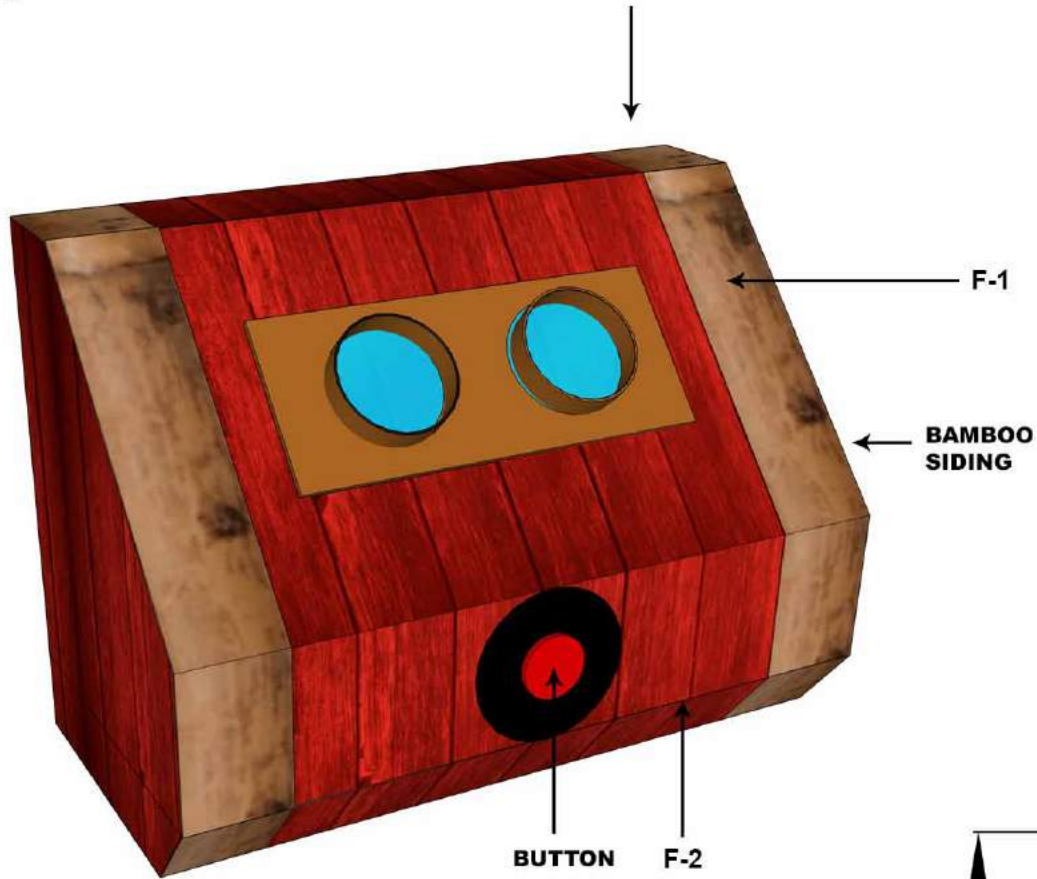
PROJECT TITLE:  
  


DATE:  
**12/17**  
REVISED DATE:  
  
SCALE:  
**1/2" = 1'**

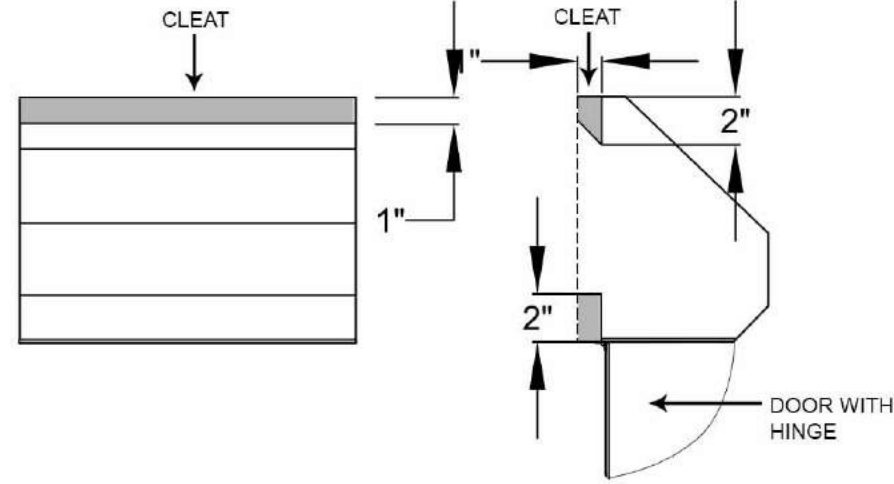
DRAWN BY:  
**CCOYLE**  
  
APPROVED BY:

SHEET #  
  
**101.4.7B**  
**FLASHLIGHT**  
**FISH WALL**



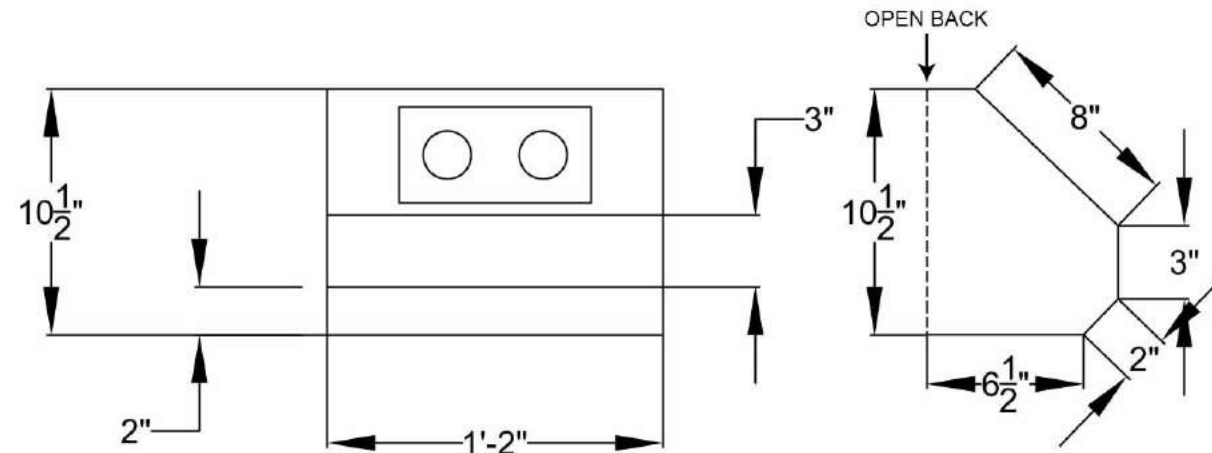


CONCEPT RENDER



FRONT ELEVATION (INTERIOR)

SIDE ELEVATION (INTERIOR)



FRONT ELEVATION (EXTERIOR)

SIDE ELEVATION (EXTERIOR)

**PARTS REFERENCE**



**Red Pushbutton**  
**PART # 58-9100-L**  
 \$2.90/EA  
 QTY: 8  
 na.suzohapp.com

**FINISHES**



**F-1 [FINISH 1]**  
**FLAT BAMBOO STRIP**  
 safarithatch.com



**F-2 [FINISH 2]**  
**NEVAMAR**  
**RED DRAGON BAMBOO**  
 PRODUCT #WZ1001T  
 nevamar.com

**NOTES**

- OPEN BACK FOR ELECTRICAL
- WE WILL PROVIDE VIEWER EQUIPMENT
- ACCESS DOOR AT BOTTOM TO SCREW IN BOTTOM OF KIOSK.
- CREATING 8 VIEWERS

**26** **RIPLEY VIEWER KIOSK**  
 SCALE: 1 1/2" = 1'

**RIPLEY**

ENTERTAINMENT, INC.  
 7576 KINGSPONTE PKWY #188  
 ORLANDO, FLORIDA 32819  
 (407).345.8010

WWW.RIPLEYS.COM

PROJECT LOCATION:

**TORONTO**

NOTES:

PROJECT TITLE:



DATE:

**12/17**

REVISED DATE:

SCALE:

**1/2" = 1'**

DRAWN BY:

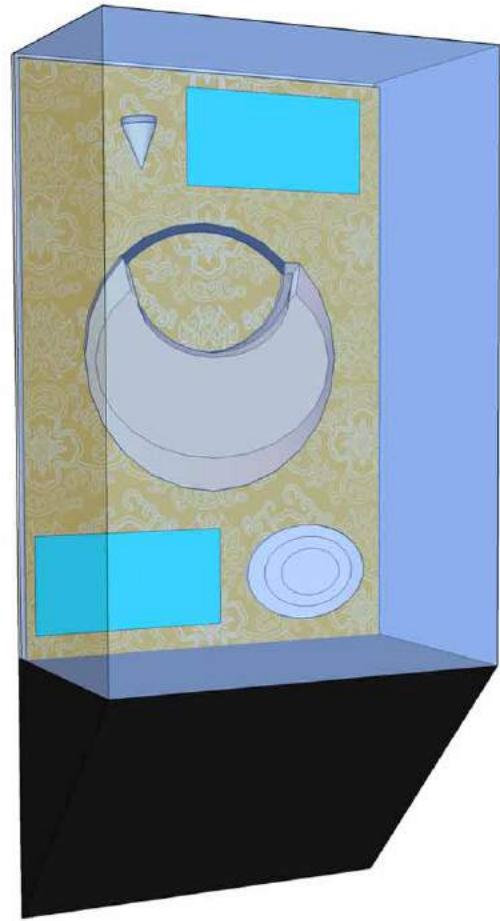
**CCOYLE**

APPROVED BY:

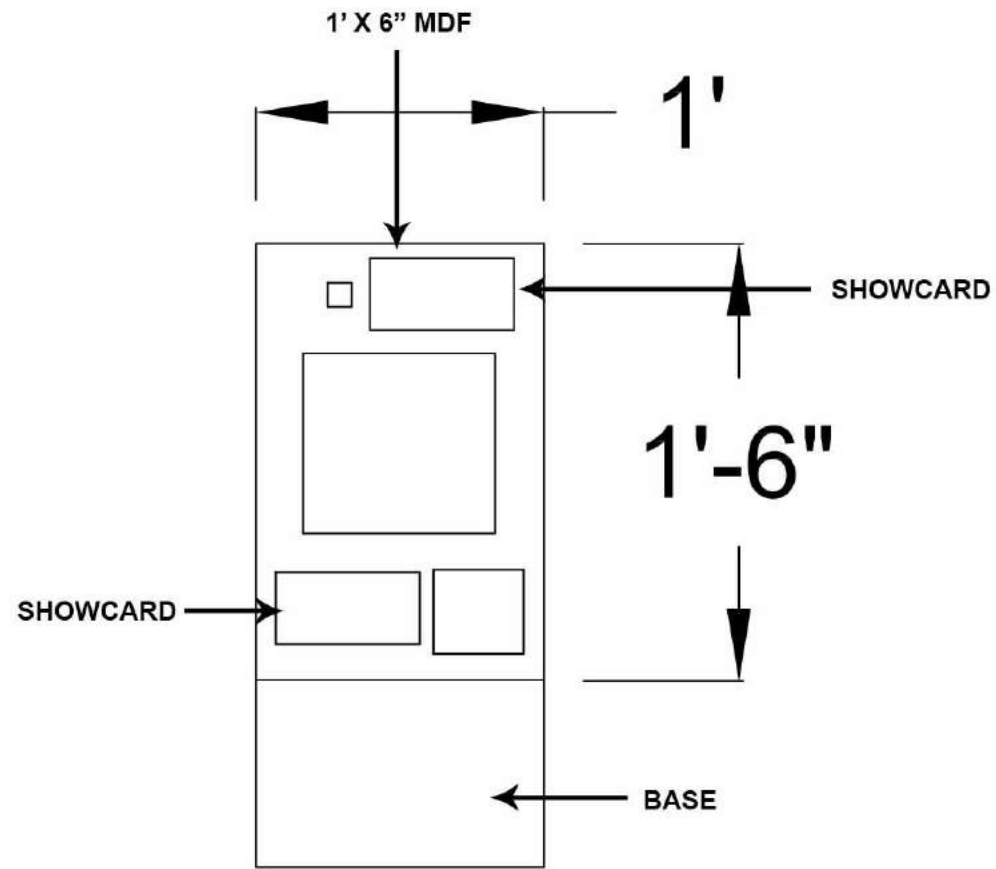
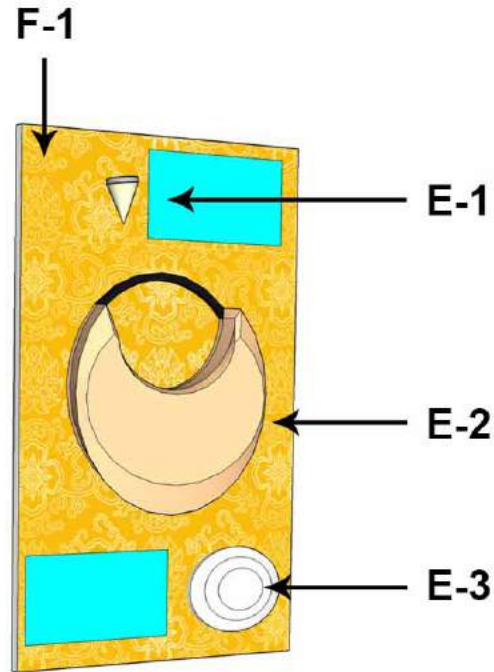
SHEET #

**101.4.8**  
**VIEWER**





**CONCEPT RENDER**  
SCALE: NOT TO SCALE



**FRONT ELEVATION**  
SCALE: 1" = 1'

**PARTS REFERENCE**

**MDF**  
1' x 1'6" x 3/4"  
www.homedepot.com

**F-1 [FINISH 1]**  
**Chinese Brocade Sateen Dragon Gold**  
\$7.98 per Yard  
SIZE: 1'4" x 1'10"  
www.fabric.com

**12"w Display Case**  
SKU: DCWWDG12BK  
\$95.99  
DIM: 12.0" x 18.0" x 8.0"  
www.displays2go.com  
**PURCHASE OFF THE SHELF**

**EXHIBITS**

**E-1**  
**SHARK EARRING**  
EXHIBIT: 7683  
SIZE: 1"x 1"

**E-2**  
**SHELL NECKLACE**  
EXHIBIT: 5603  
SIZE: 7 1/2" x 8"

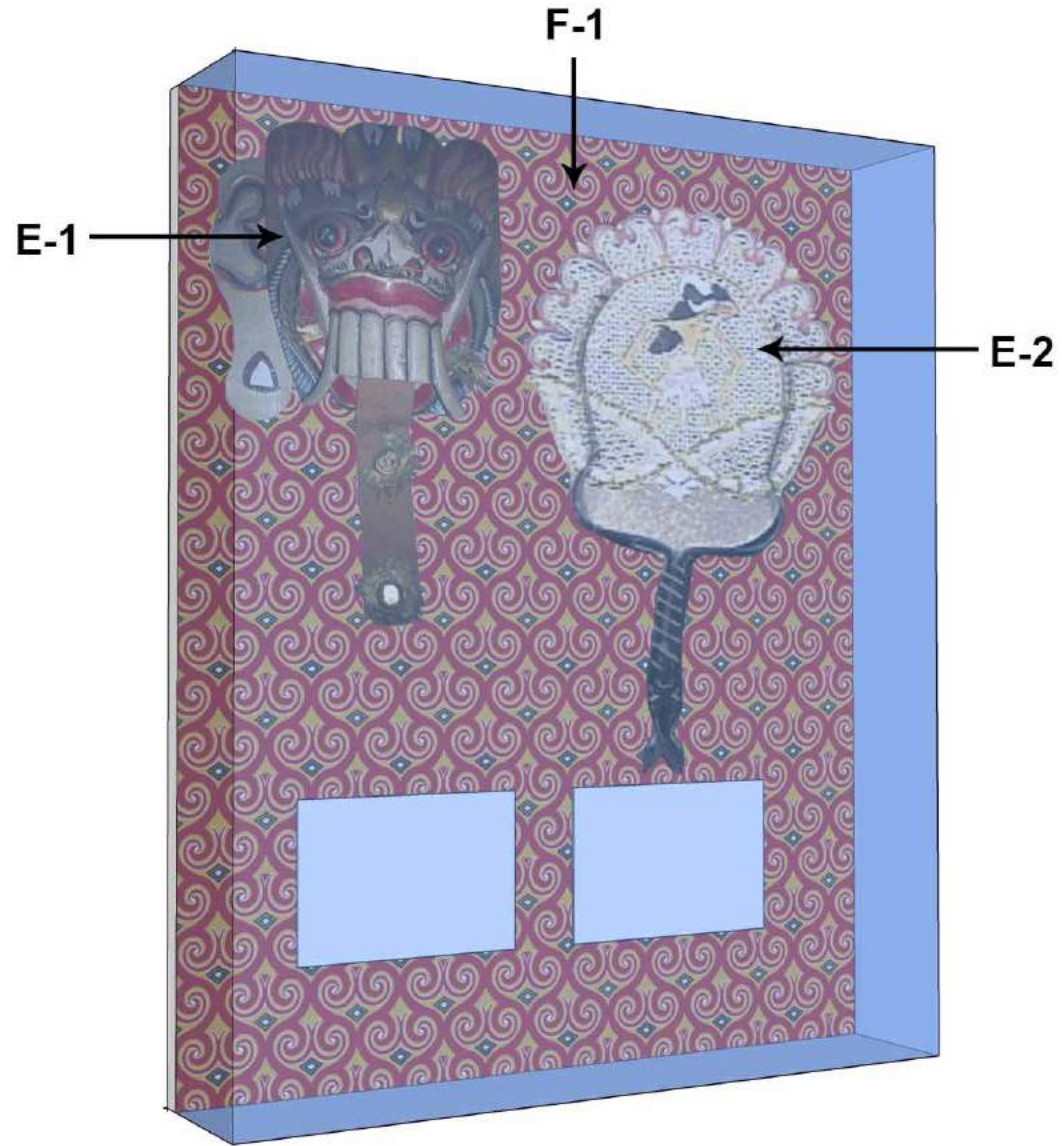
**E-3**  
**SHELL PURSE**  
EXHIBIT: 7601  
SIZE: 3 3/4" x 3 1/2" x 1 1/2"

**NOTES**

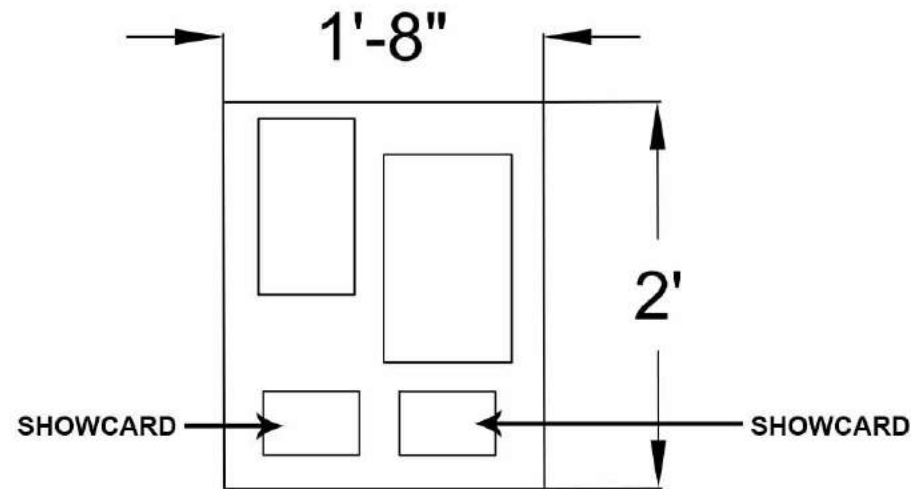
- WRAP MATERIAL AROUND MDF
- NEED TO FIND OUT HOW TO ATTACH EXHIBITS TO BACKDROP.
- THERE ARE THREE OTHER EXHIBIT CASES. ALL NEED THE SAME TREATMENT.

**27 SHELL DISPLAY CASE**  
SCALE: 1" = 1'



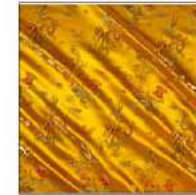


**CONCEPT RENDER**  
SCALE: NOT TO SCALE



**FRONT ELEVATION**  
SCALE: 1" = 1'

**PARTS REFERENCE**



**F-1 [FINISH 1]**  
**Chinese Brocade Sateen**  
**Dragon Gold**  
\$7.98 per Yard  
SIZE: 1'4" x 1'10"  
www.fabric.com



**20 x 24 Exhibit Case**  
SKU: DCAWEC1620  
\$109.99  
DIM: 20.0" x 24.0" x 4.0"  
www.displays2go.com  
**PURCHASE OFF SHELF**

**EXHIBITS**



**E-1**  
**INDONESIAN MASK**  
EXHIBIT: 169002  
SIZE: 8"x 13" x 3 1/2"



**E-2**  
**FAN BALINESE**  
EXHIBIT: 19577  
SIZE: 11" x 6"

**NOTES**

- WRAP MATERIAL AROUND BASE
- NEED TO FIND OUT HOW TO ATTACH EXHIBITS TO BACKDROP.

**28** **INDONESIAN FANS**  
SCALE: 1" = 1'

**RIPLEY**  
ENTERTAINMENT, INC.  
7576 KINGSPONTE PKWY #188  
ORLANDO, FLORIDA 32819  
(407).345.8010  
  
WWW.RIPLEYS.COM

PROJECT LOCATION:  
**TORONTO**  
  
NOTES:

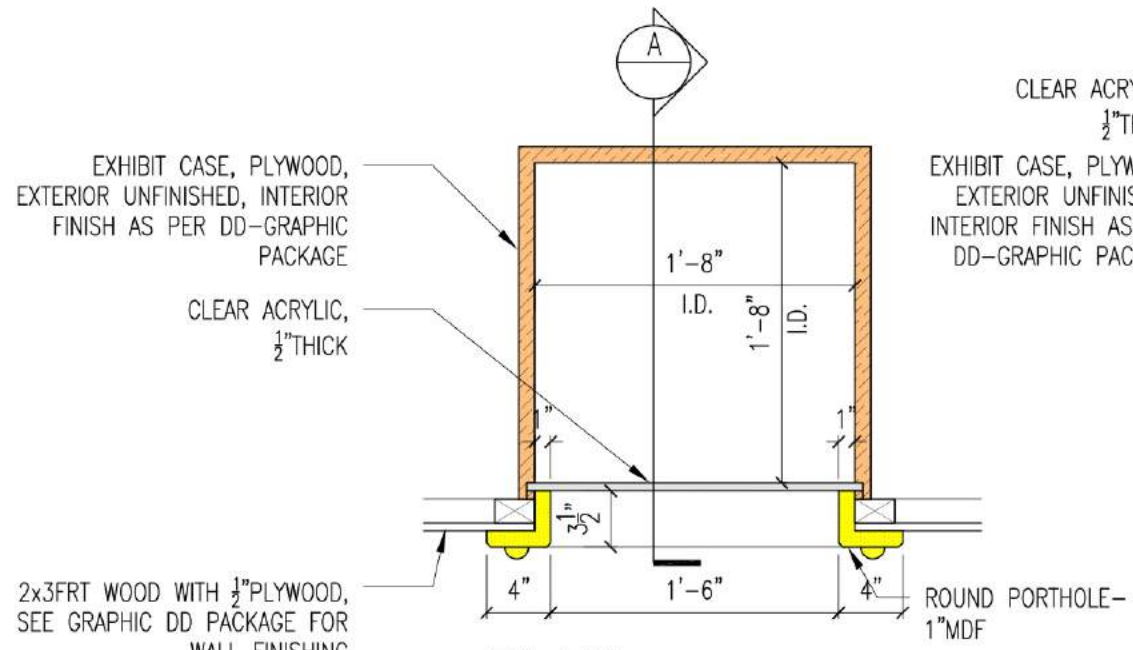
PROJECT TITLE:

DATE:  
**12/17**  
REVISED DATE:  
  
SCALE:  
**1" = 1'**

DRAWN BY:  
**CCOYLE**  
  
APPROVED BY:

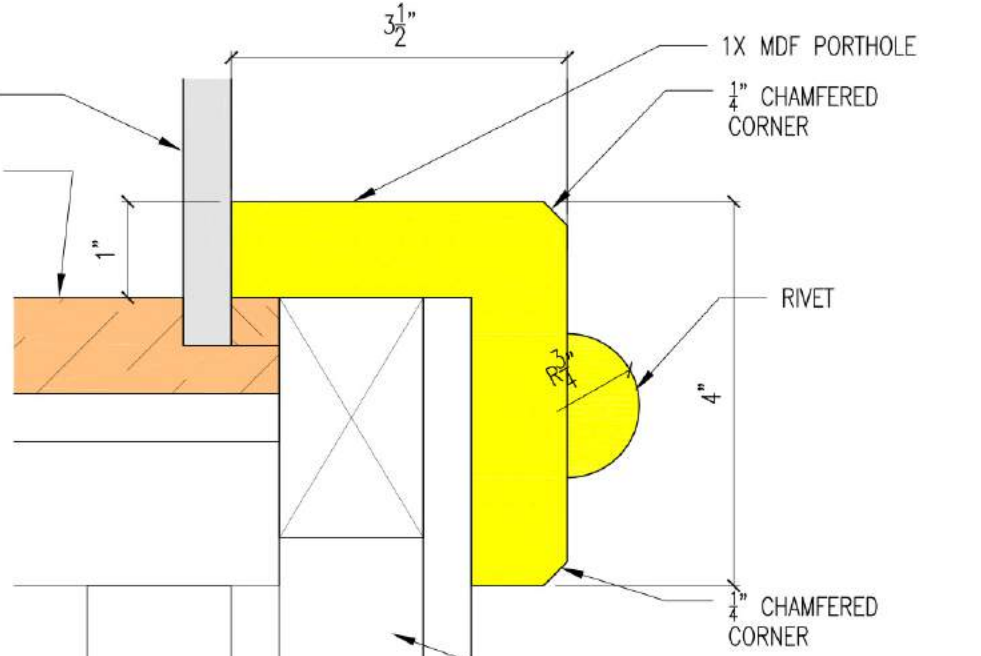
SHEET #  
  
**101.4.10**  
**INDONESIAN FANS**





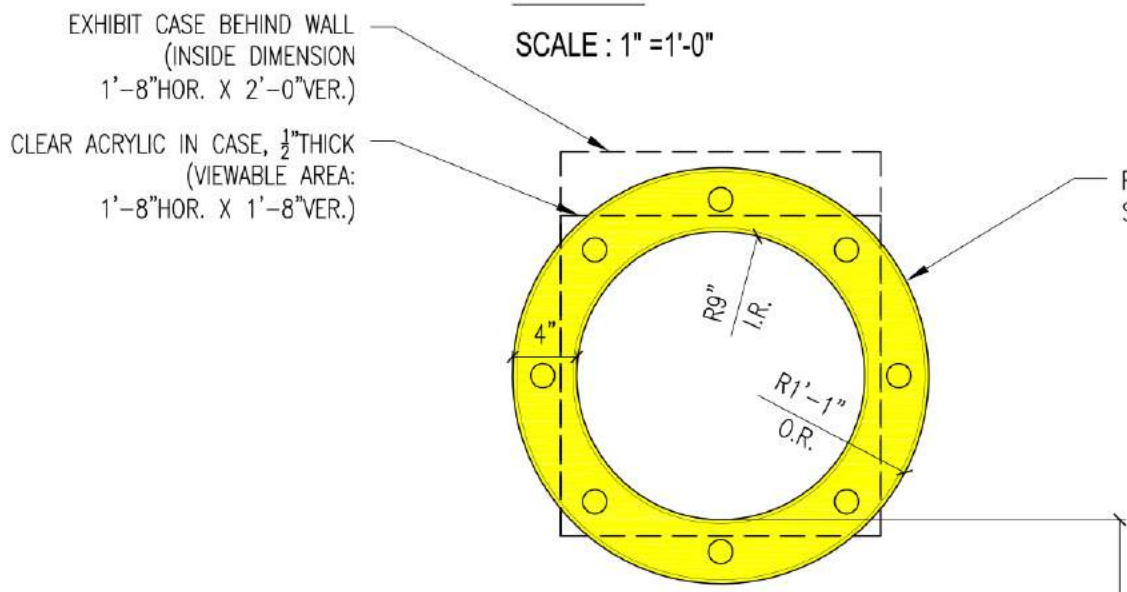
**PLAN**

SCALE: 1" = 1'-0"



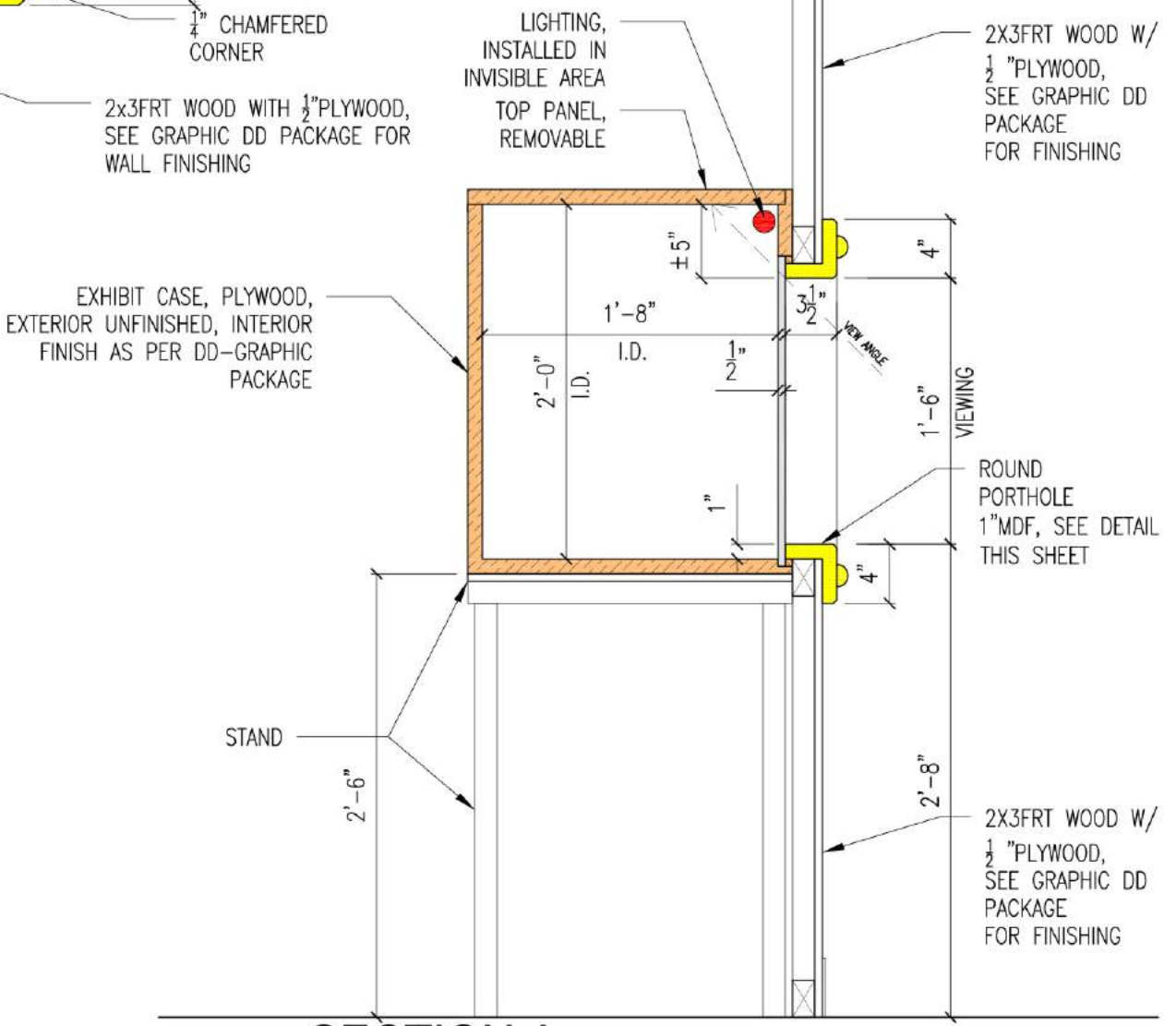
**PORTHOLE DETAIL**

@SILL



**WALL ELEVATION**

SCALE: 1" = 1'-0"



**SECTION A**

SCALE: 1" = 1'-0"

**RIPLEY**  
ENTERTAINMENT, INC.  
7576 KINGSPORTE PKWY #188  
ORLANDO, FLORIDA 32819  
(407) 345-8010  
WWW.RIPLEYS.COM

LOCATION:	TORONTO, CANADA
NOTES:	

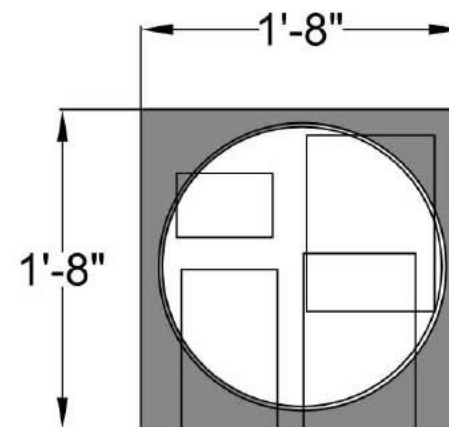
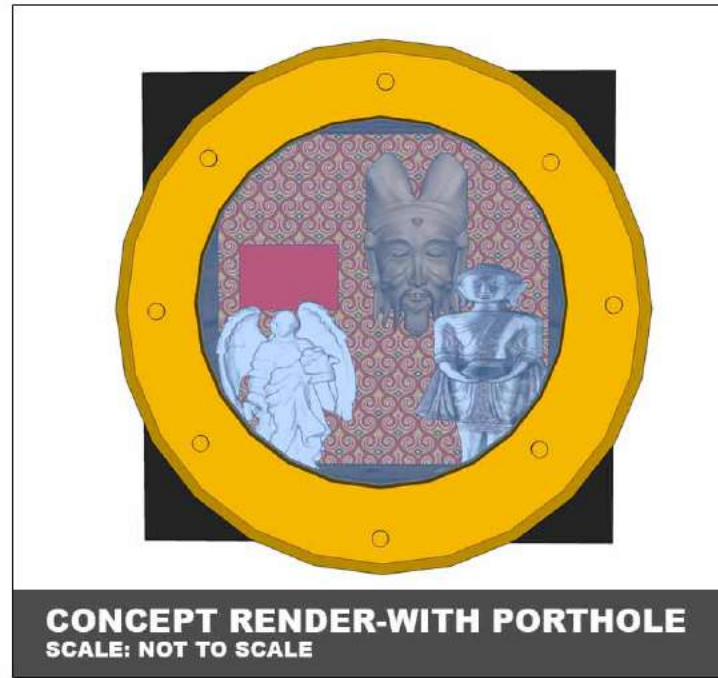
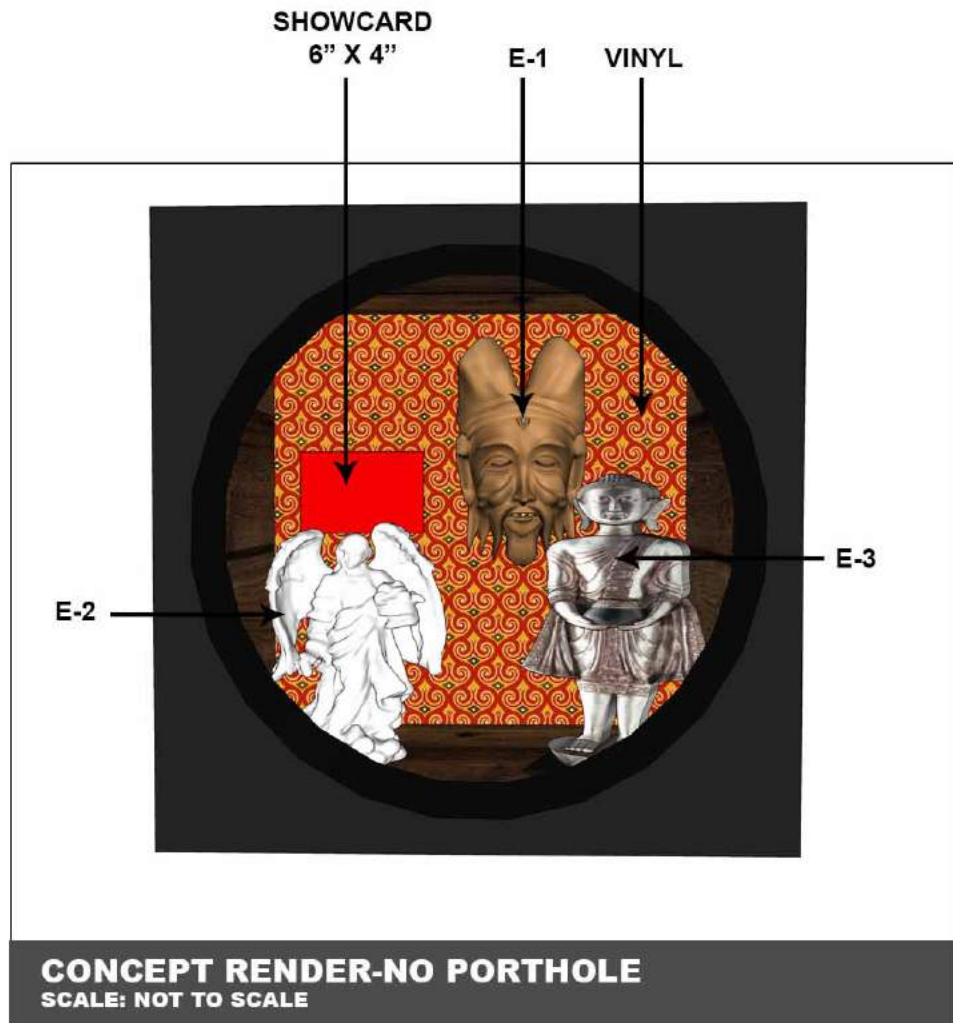
PROJECT TITLE:	RIPLEY CHANGEABLE EXHIBIT
----------------	---------------------------

DATE:	1/4/2018
REVISE DATE:	---
SCALE:	1" = 1'-0"

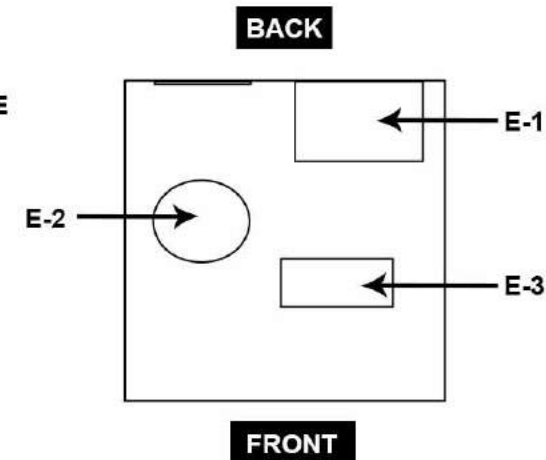
DRAWN BY:	F. NURDJAJA
APPROVED BY:	

SHEET # C1
EXHIBIT CASE & PORTHOLE (A&B, TOTAL 2 UNITS)





14" VIEWABLE SPACE



**NOTES**

- LED LIGHTING AT TOP OF EXHIBIT BOX
- VINYL WILL COVER THE INSIDE OF BOX.

**EXHIBITS REFERENCE**



**30 PORTHOLE EXHIBIT CASE A**  
SCALE: 1" = 1'

**RIPLEY**  
ENTERTAINMENT, INC.  
7576 KINGSPOINTE PKWY #188  
ORLANDO, FLORIDA 32819  
(407).345.8010  
  
WWW.RIPLEYS.COM

PROJECT LOCATION:  
**TORONTO**  
  
NOTES:

PROJECT TITLE:

DATE:  
**12/17**  
REVISED DATE:  
  
SCALE:  
**1" = 1'**

DRAWN BY:  
**CCOYLE**  
  
APPROVED BY:

SHEET #  
**101.4.12**  
**PORTHOLE**  
**EXHIBIT CASE**  
**INDONESIA**






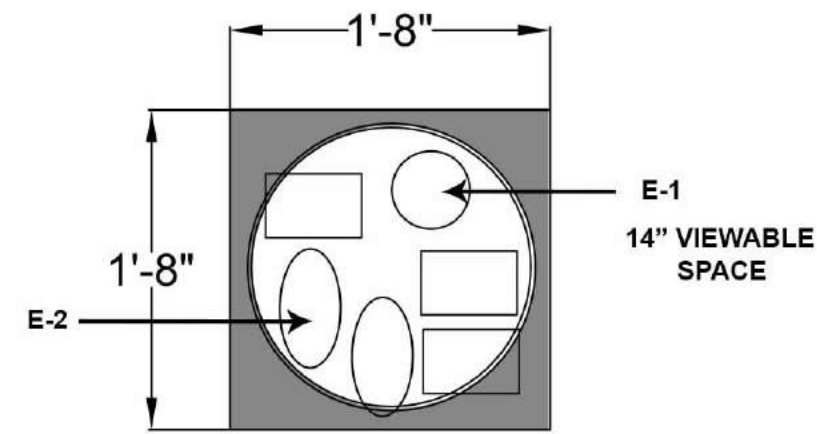
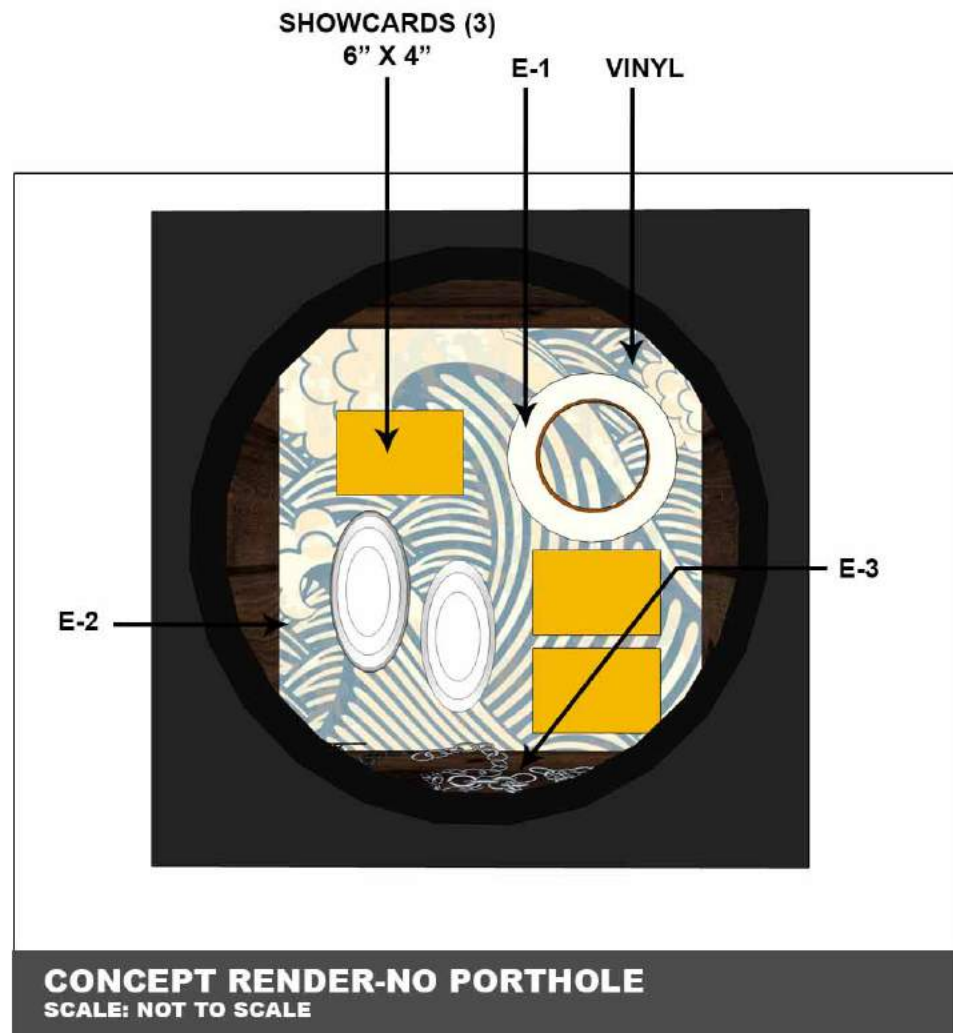


### NOTES

- LED LIGHTING AT TOP OF EXHIBIT BOX
- VINYL WILL COVER THE INSIDE OF BOX.

### EXHIBITS REFERENCE

	<b>E-1 [EXHIBIT 1]</b> #4936
	<b>E-2 [EXHIBIT 2]</b> #9449
	<b>E-3 [EXHIBIT 3]</b> #5704



**31 PORTHOLE EXHIBIT CASE B**  
SCALE: 1" = 1'

**RIPLEY**  
ENTERTAINMENT, INC.  
7576 KINGSPONTE PKWY #188  
ORLANDO, FLORIDA 32819  
(407).345.8010  
  
WWW.RIPLEYS.COM

PROJECT LOCATION:  
**TORONTO**  
  
NOTES:

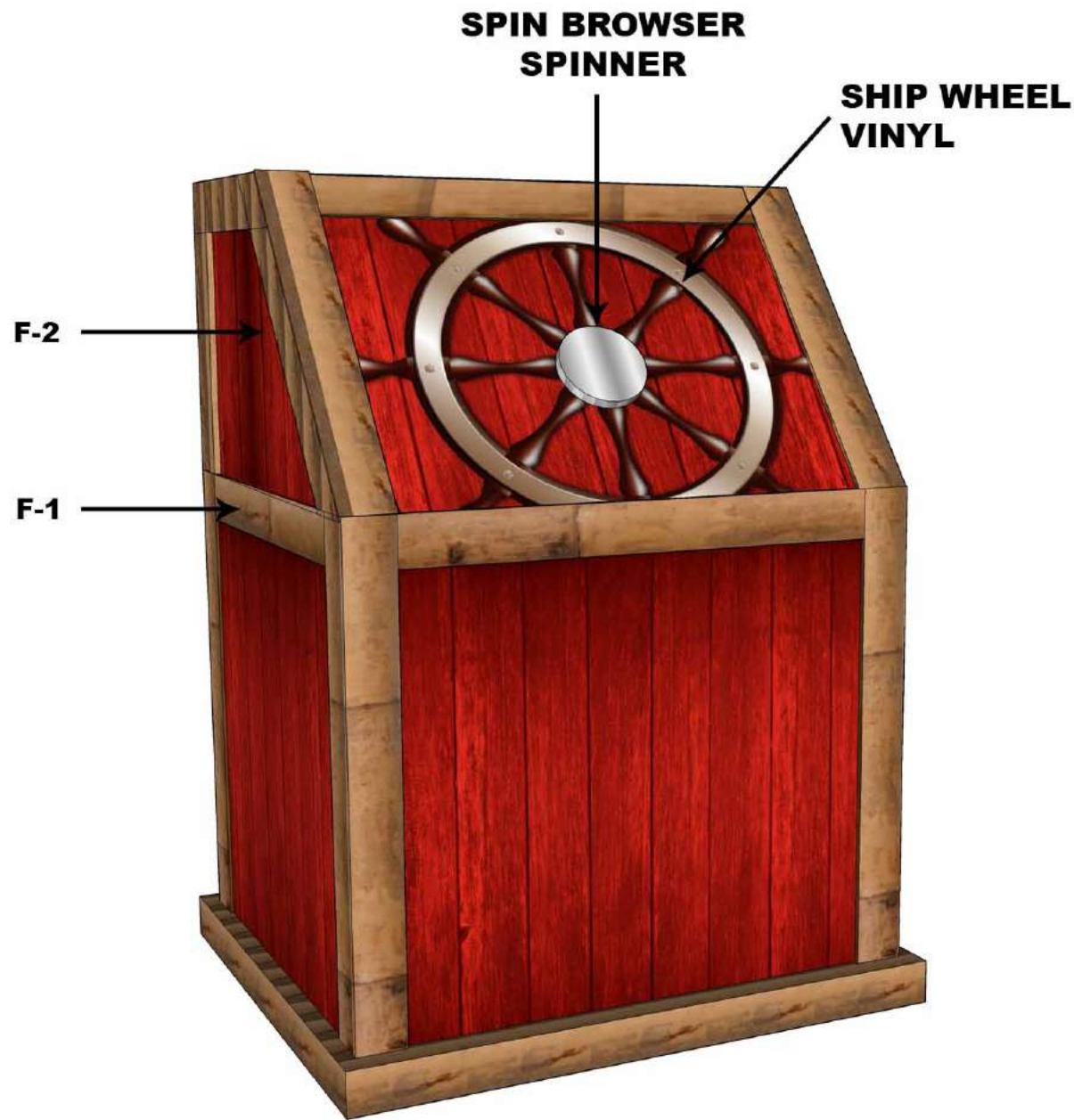
PROJECT TITLE:  
  


DATE:  
**12/17**  
REVISED DATE:  
  
SCALE:  
**1" = 1'**

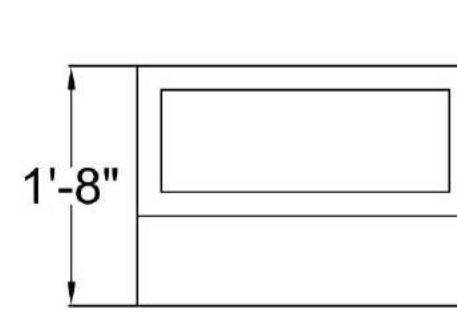
DRAWN BY:  
**CCOYLE**  
  
APPROVED BY:

SHEET #  
**101.4.13**  
**PORTHOLE**  
**EXHIBIT CASE**  
**INDONESIA**

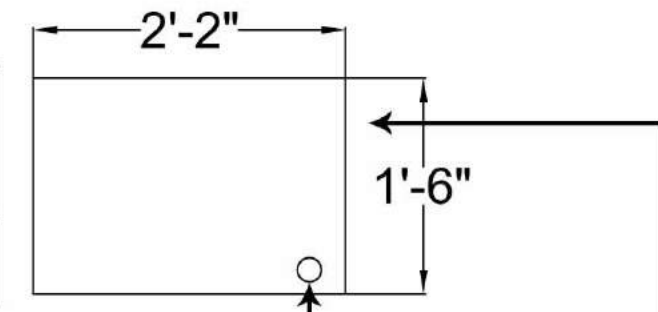




CONCEPT RENDER

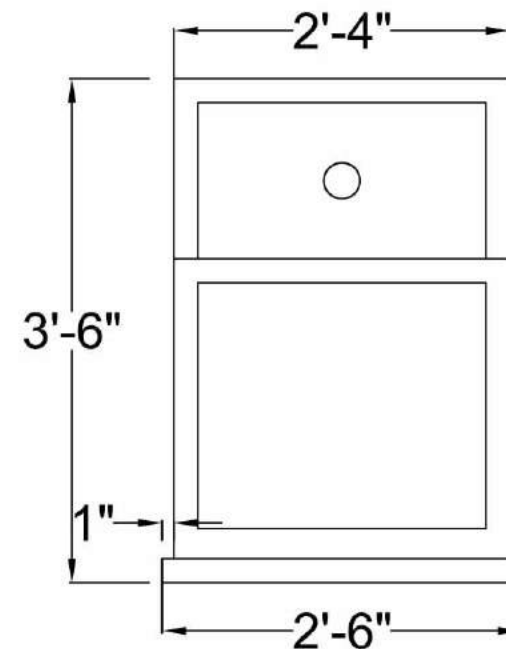


TOP ELEVATION

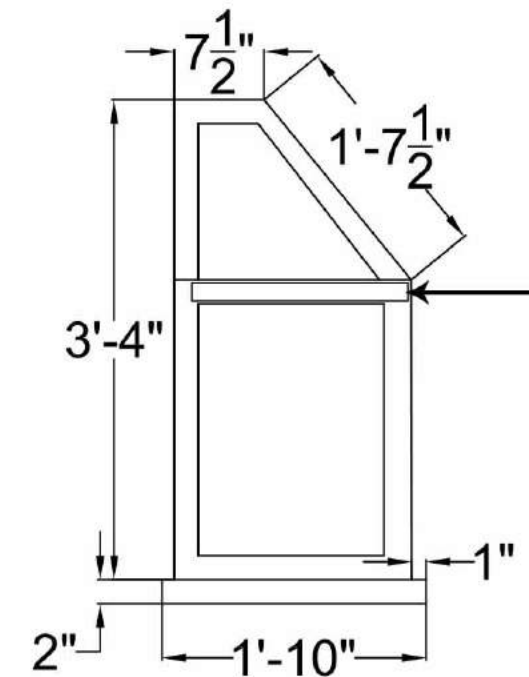


2" DIA CABLE CHASES WITH GROMMETS

SHELF TO HOLD SPIN BROWSER



FRONT ELEVATION



SIDE ELEVATION

FINISHES



F-1 [FINISH 1]  
FLAT BAMBOO STRIP  
safarithatch.com



F-2 [FINISH 2]  
NEVAMAR  
RED DRAGON BAMBOO  
PRODUCT #WZ1001T  
nevamar.com

**32** SPIN BROWSER  
SCALE: 3/4" = 1'

**RIPLEY**

ENTERTAINMENT, INC.  
7576 KINGSPOINTE PKWY #188  
ORLANDO, FLORIDA 32819  
(407).345.8010

WWW.RIPLEYS.COM

PROJECT LOCATION:

**TORONTO**

NOTES:

PROJECT TITLE:



DATE:

**12/17**

REVISED DATE:

SCALE:

**3/4" = 1'**

DRAWN BY:

**CCOYLE**

APPROVED BY:

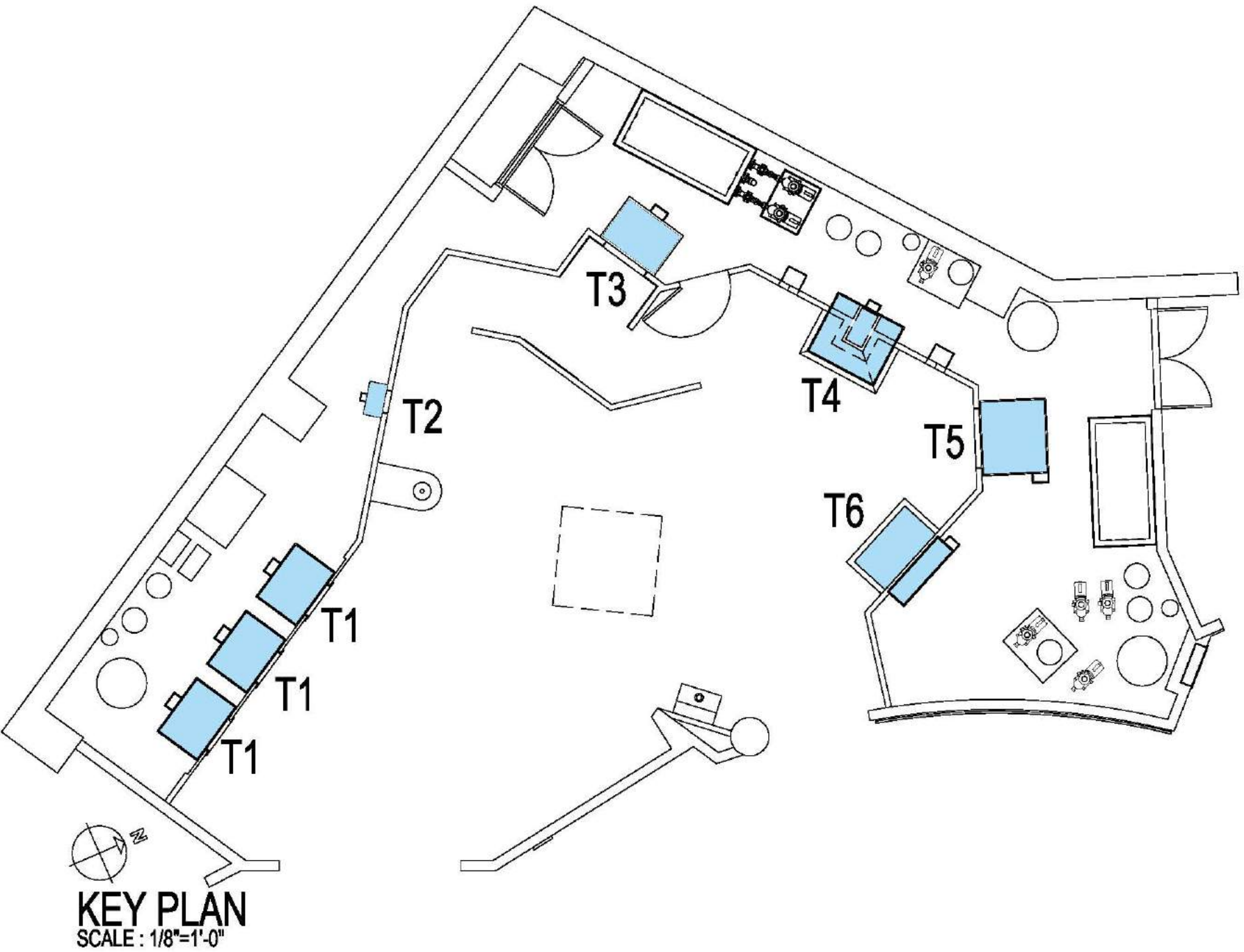
SHEET #

**101.4.14**  
SPIN  
BROWSER



# RIPLEY CHANGEABLE EXHIBIT TORONTO, CANADA

## TANK DRAWING PACKAGE



- T1      GOLDFISH TANK
- T2      MANTIS SHRIMP TANK
- T3.1    FLASHLIGHT FISH TANK
- T3.2    FLASHLIGHT FISH TANK
- T4      FROGFISH/BATFISH TANK
- T5      ISOPOD TANK
- T6      FANGFISH TANK

**RIPLEY**  
ENTERTAINMENT, INC.  
7576 KINGSPORTE PKWY #188  
ORLANDO, FLORIDA 32819  
(407) 345-8010  
WWW.RIPLEYS.COM

LOCATION:  
TORONTO, CANADA  
NOTES:

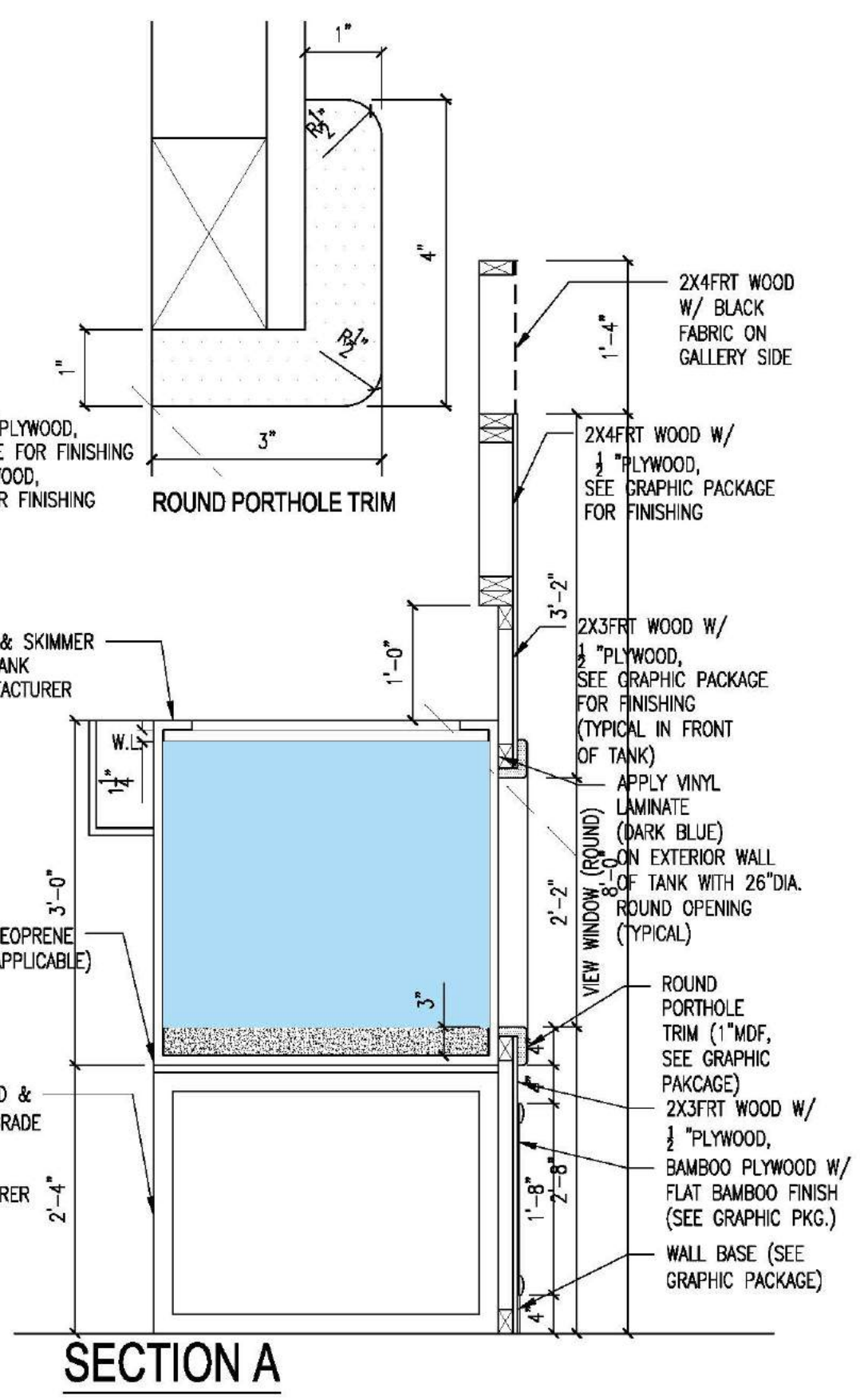
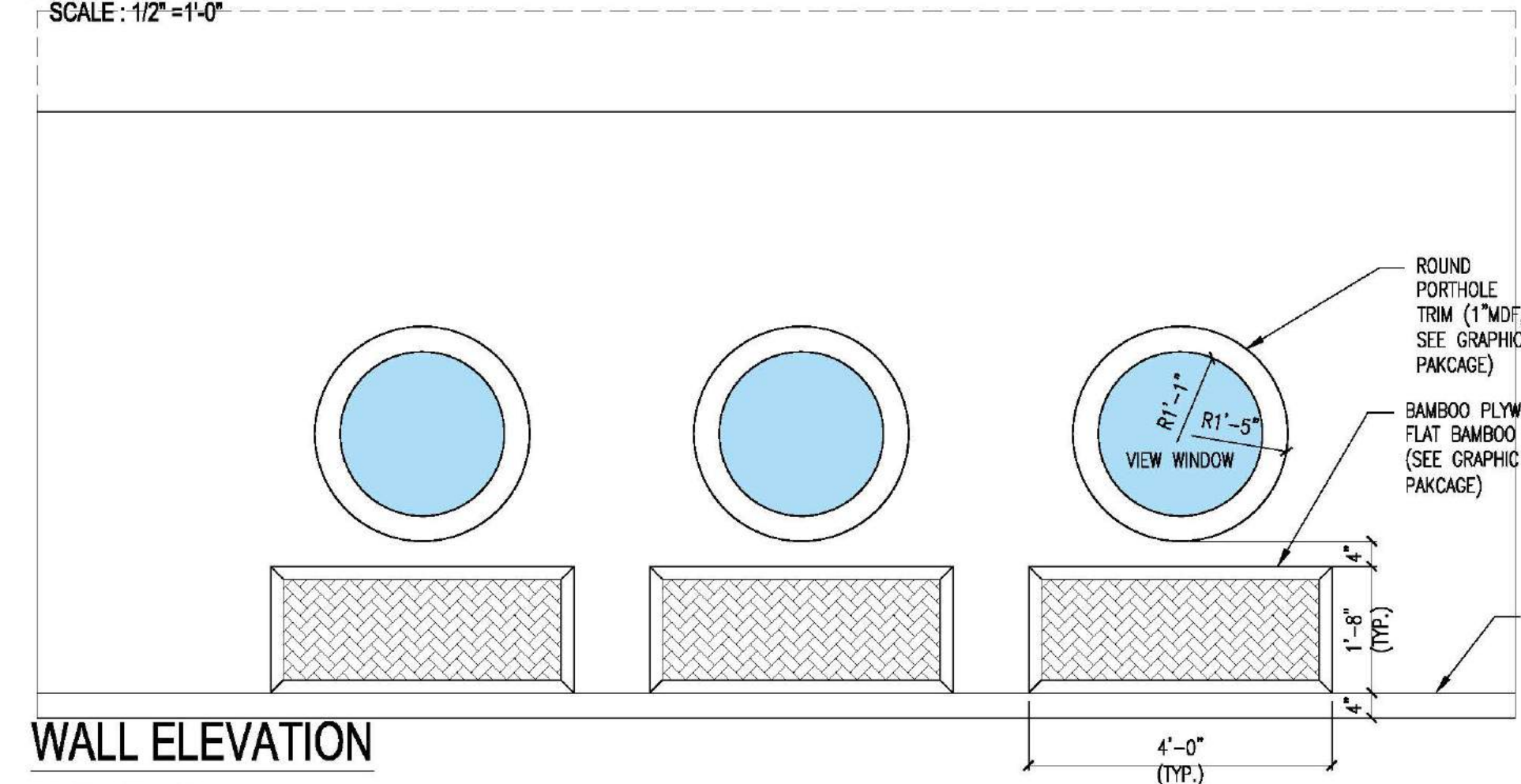
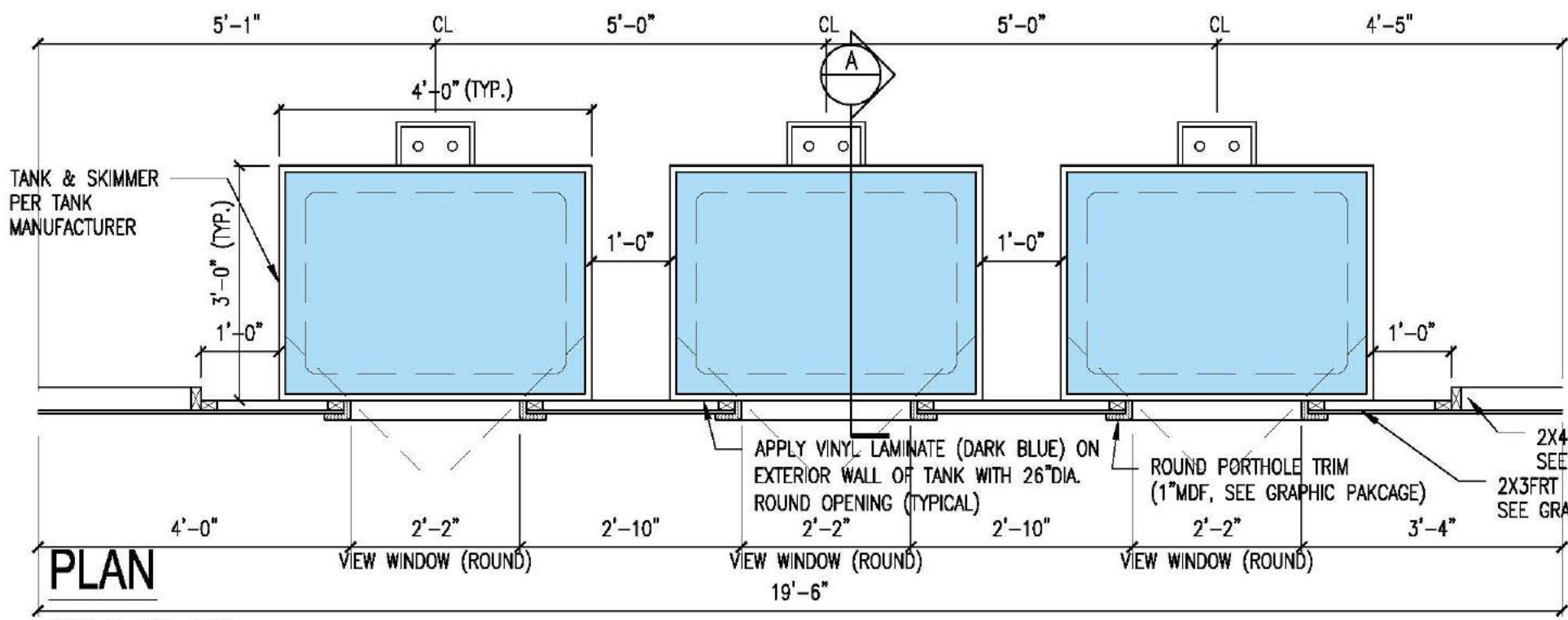
PROJECT TITLE:  
**RIPLEY CHANGEABLE EXHIBIT**

DATE:  
11/28/2017  
REVISE DATE:  
—  
SCALE:  
1/2" = 1' - 0"

DRAWN BY:  
F. NURDJAJA  
APPROVED BY:

SHEET #  
TO  
COVER SHEET





**RIPLEY**  
 ENTERTAINMENT, INC.  
 7576 KINGSPONTE PKWY #188  
 ORLANDO, FLORIDA 32819  
 (407) 345-8010  
 WWW.RIPLEYS.COM

LOCATION:  
 TORONTO, CANADA

NOTES:

PROJECT TITLE:  
**RIPLEY CHANGEABLE EXHIBIT**

DATE:  
 11/28/2017

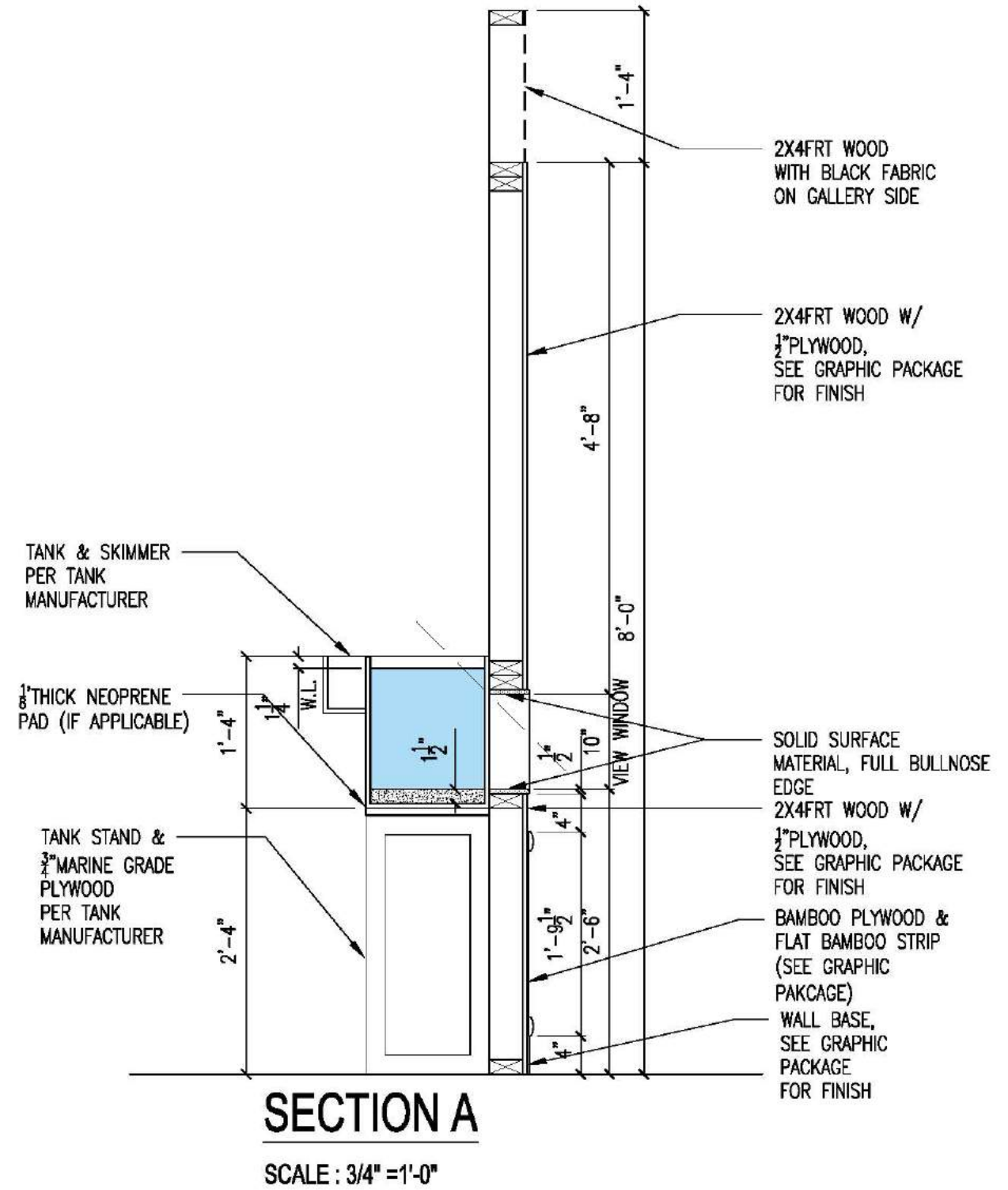
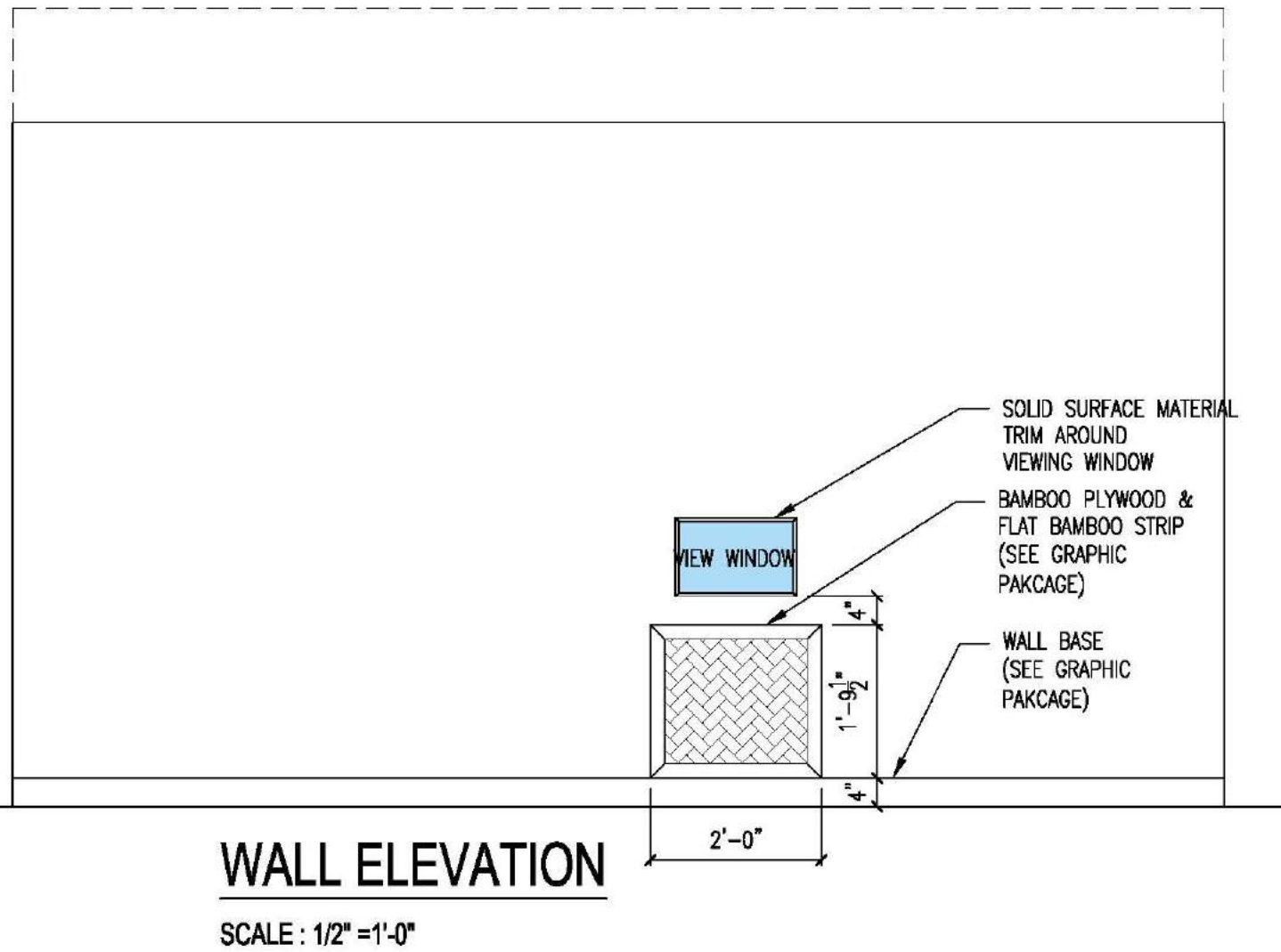
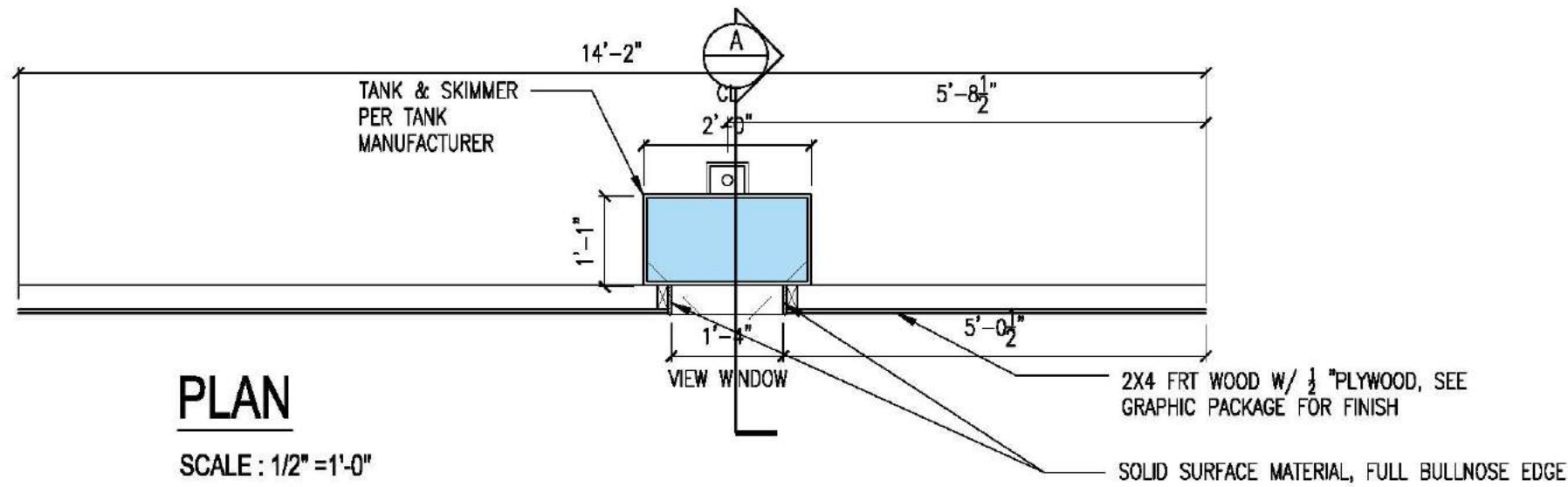
REVISE DATE:  
 -

SCALE:  
 1/2" = 1'-0"

DRAWN BY:  
 F. NURDJAJA

APPROVED BY:

SHEET #  
 T1  
 GOLDFISH  
 TANK



**RIPLEY**  
ENTERTAINMENT, INC.  
7576 KINGSPONTE PKWY #188  
ORLANDO, FLORIDA 32819  
(407) 345-8010  
WWW.RIPLEYS.COM

LOCATION:  
TORONTO, CANADA

NOTES:

PROJECT TITLE:  
**RIPLEY CHANGEABLE EXHIBIT**

DATE:  
11/28/2017

REVISE DATE:  
—

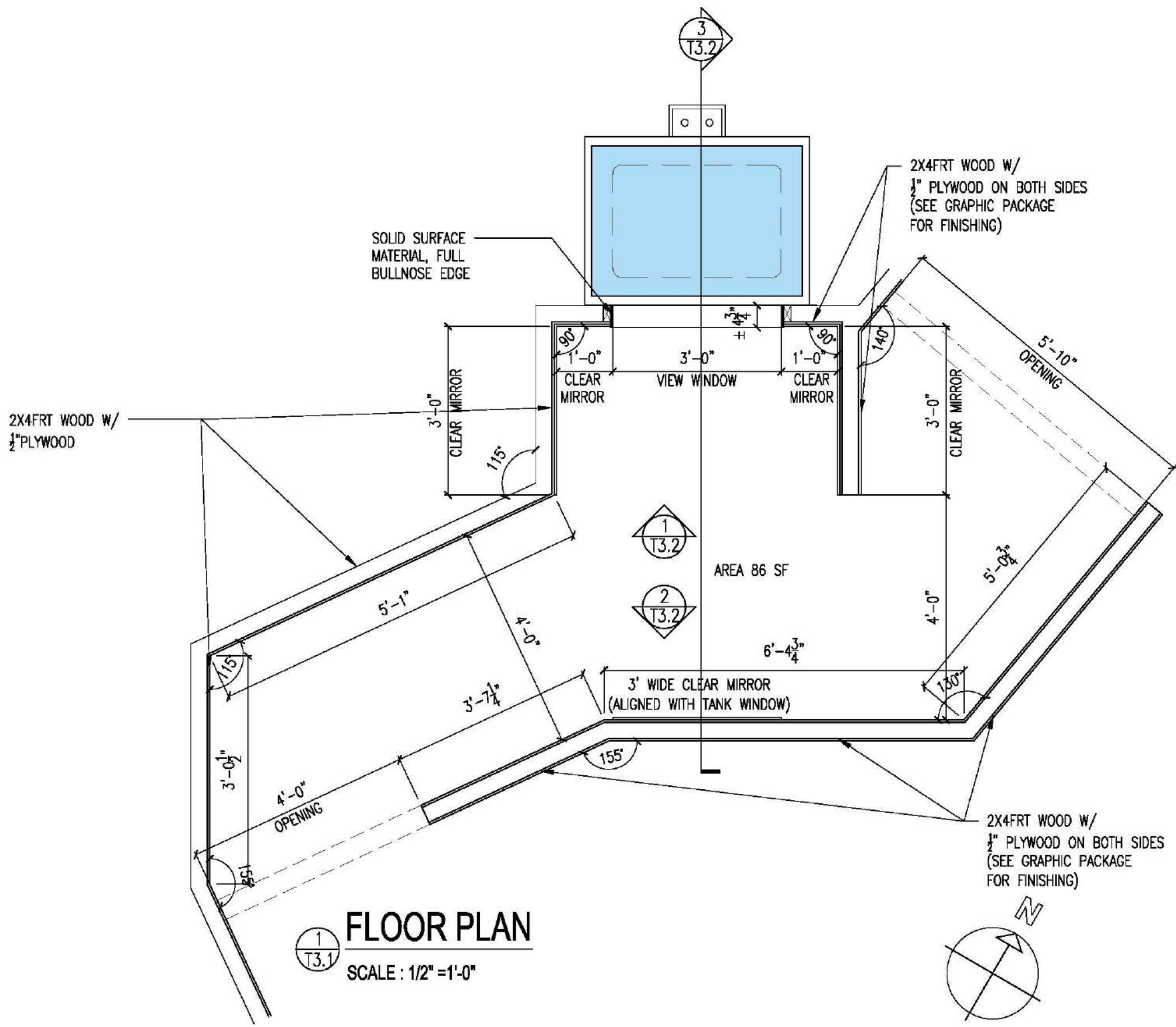
SCALE:  
1/2" = 1' - 0"

DRAWN BY:  
F. NURDJAJA

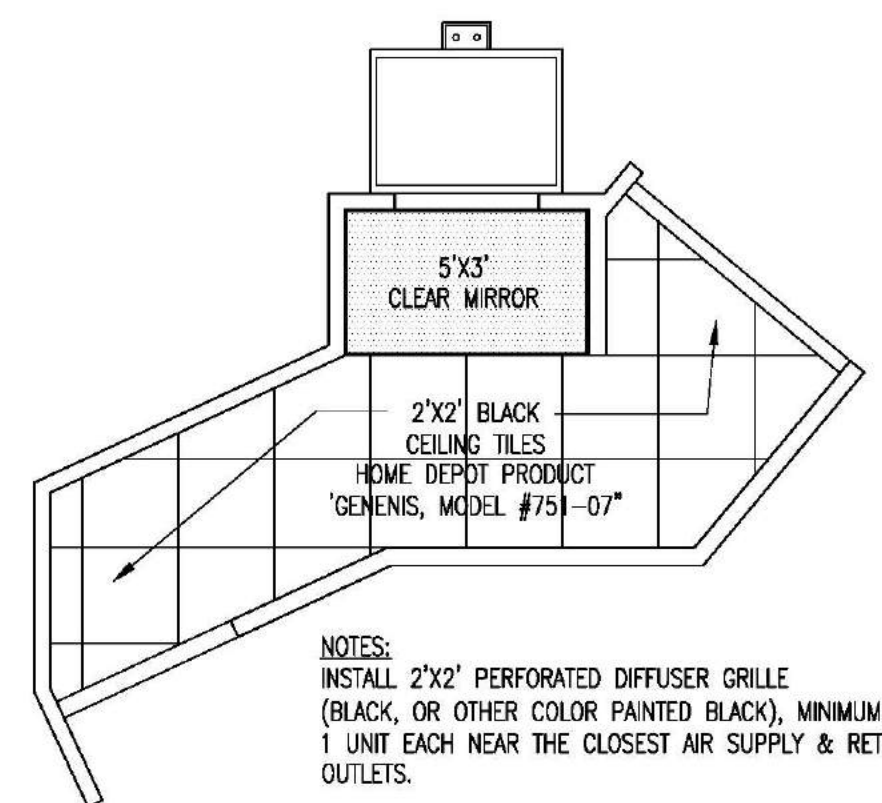
APPROVED BY:

SHEET #  
T2  
MANTIS SHRIMP TANK



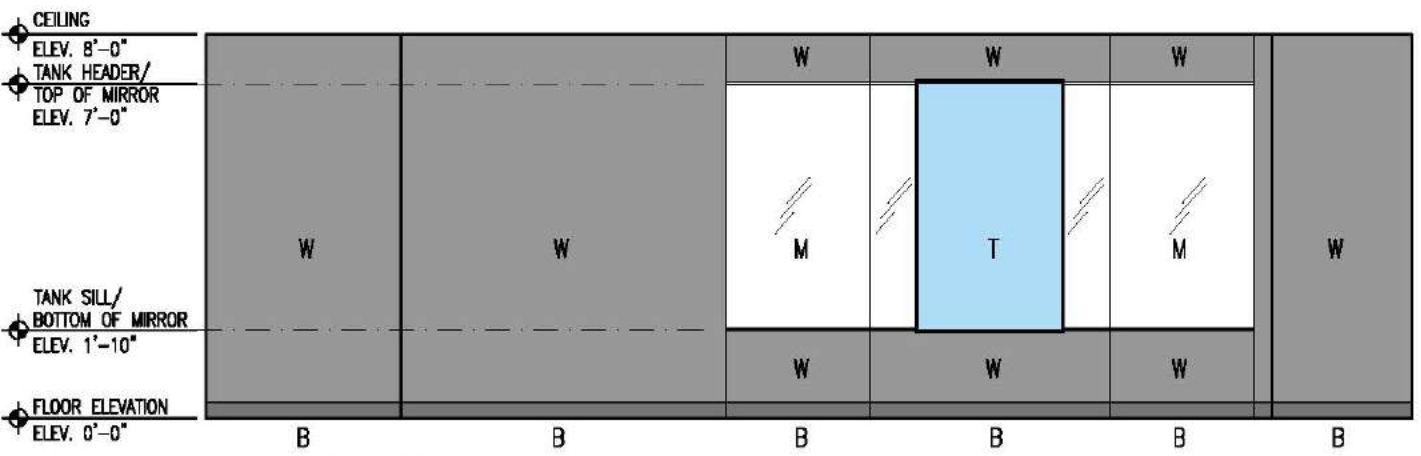


**FLOOR PLAN**  
 SCALE: 1/2" = 1'-0"

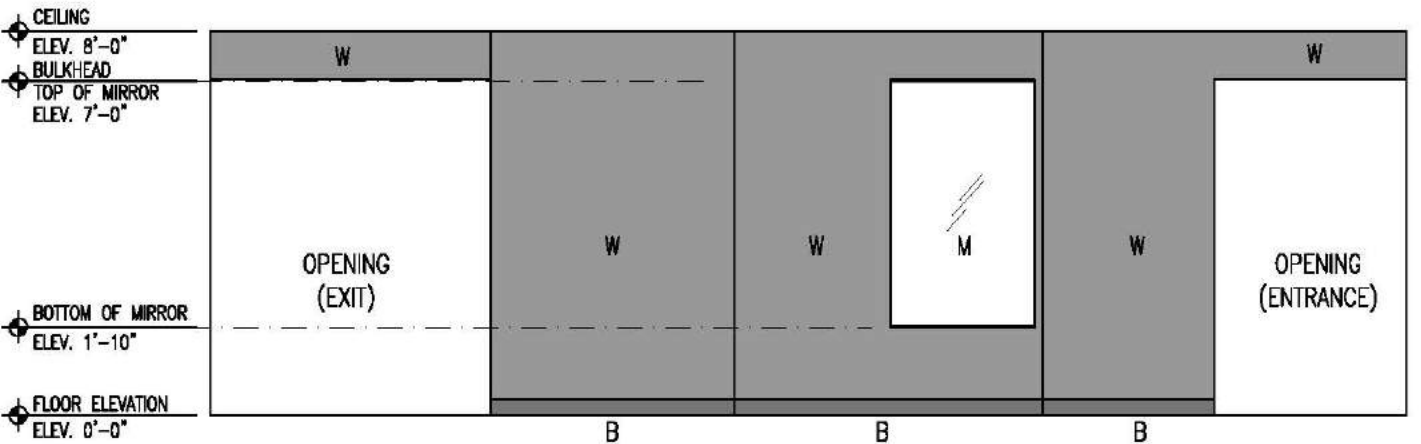


**NOTES:**  
 INSTALL 2'X2' PERFORATED DIFFUSER GRILLE (BLACK, OR OTHER COLOR PAINTED BLACK), MINIMUM 1 UNIT EACH NEAR THE CLOSEST AIR SUPPLY & RETURN AIR OUTLETS.

**REFLECTED CEILING PLAN**  
 SCALE: 1/4" = 1'-0"

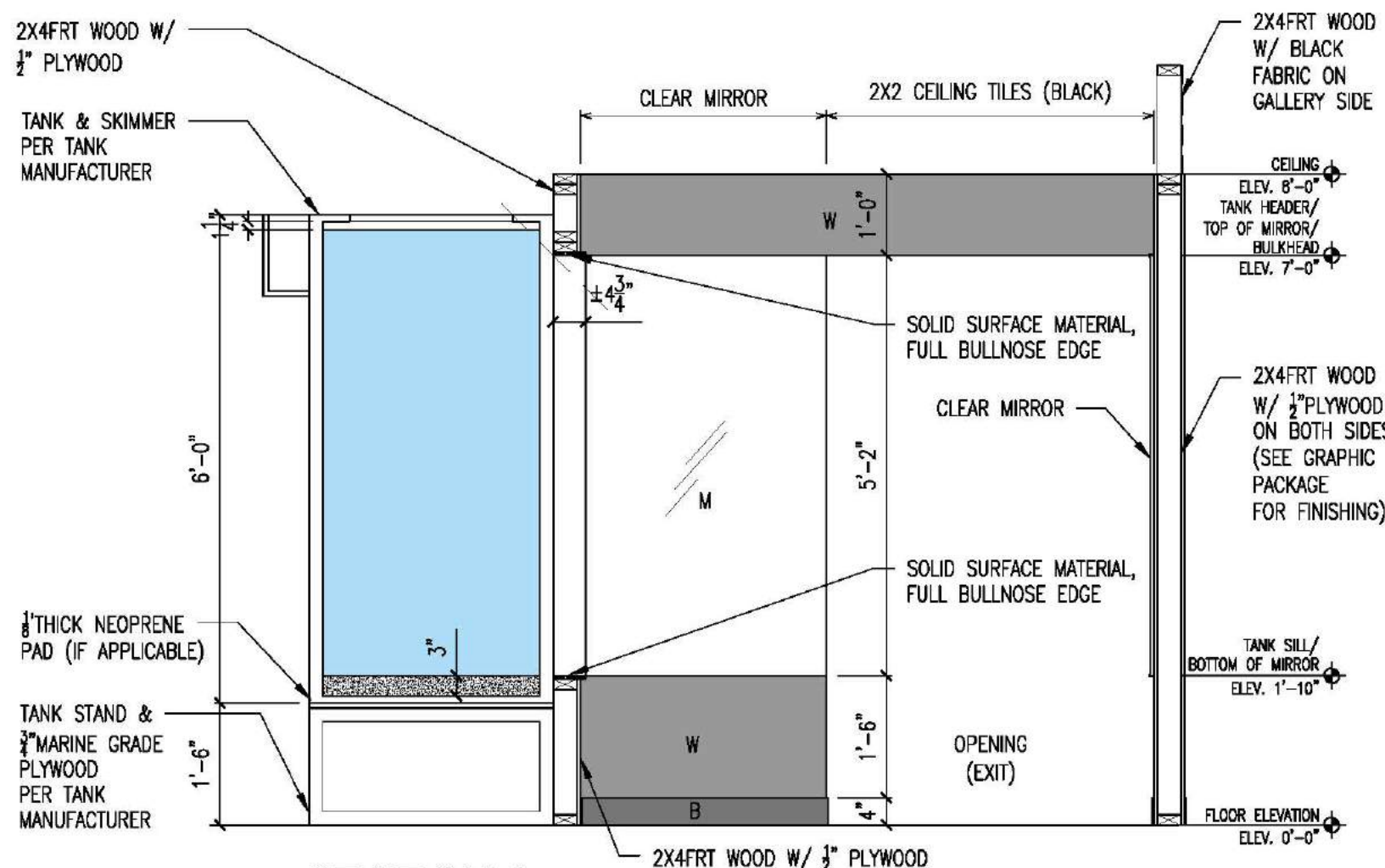


**ELEVATION 1**  
 SCALE : 1/4" = 1'-0"



**ELEVATION 2**  
 SCALE : 1/4" = 1'-0"

**KEYNOTES:**  
 B WALL BASE (SEE GRAPHIC PACKAGE FOR MATERIAL)  
 W WALL CARPET (BLACK), OR OTHER (SEE GRAPHIC PACKAGE)  
 M MIRROR (CLEAR)  
 T TANK VIEWING WINDOW WITH SOLID SURFACE MATERIAL AROUND.



**SECTION A**  
 SCALE : 1/2" = 1'-0"

**RIPLEY ENTERTAINMENT, INC.**  
 7576 KINGSPONTE PKWY #188  
 ORLANDO, FLORIDA 32819  
 (407) 345-8010  
 WWW.RIPLEYS.COM

LOCATION:  
 TORONTO, CANADA  
 NOTES:

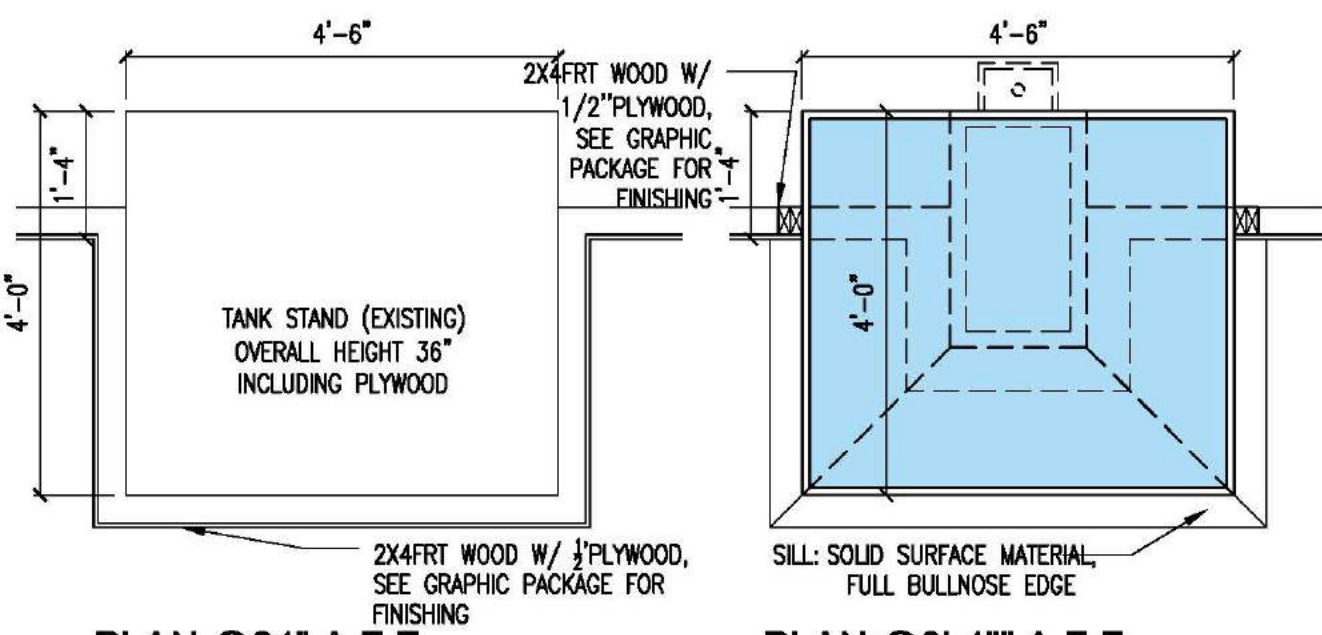
PROJECT TITLE:  
**RIPLEY CHANGEABLE EXHIBIT**

DATE:  
 11/28/2017  
 REVISE DATE:  
 —  
 SCALE:  
 1/2" = 1' - 0"

DRAWN BY:  
 F. NURDJAJA  
 APPROVED BY:

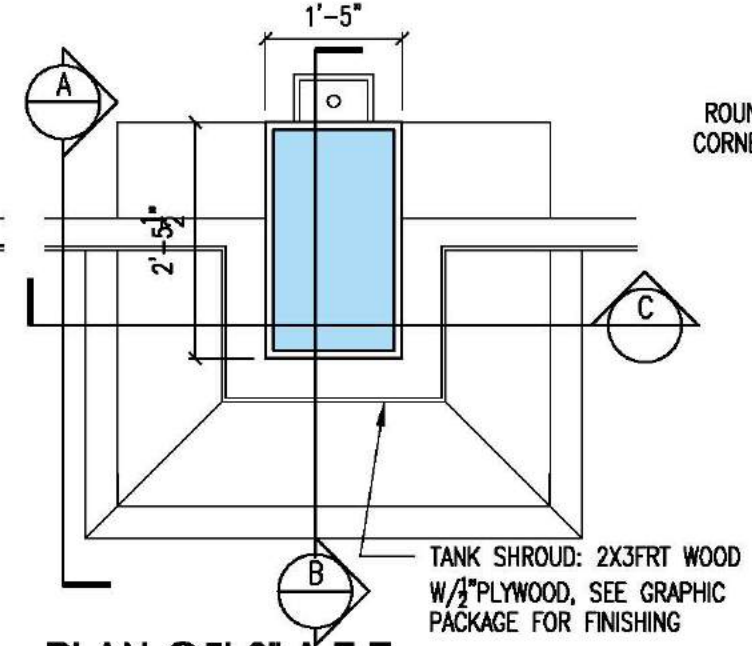
SHEET #  
 T3.2  
 FLASHLIGHT FISH TANK





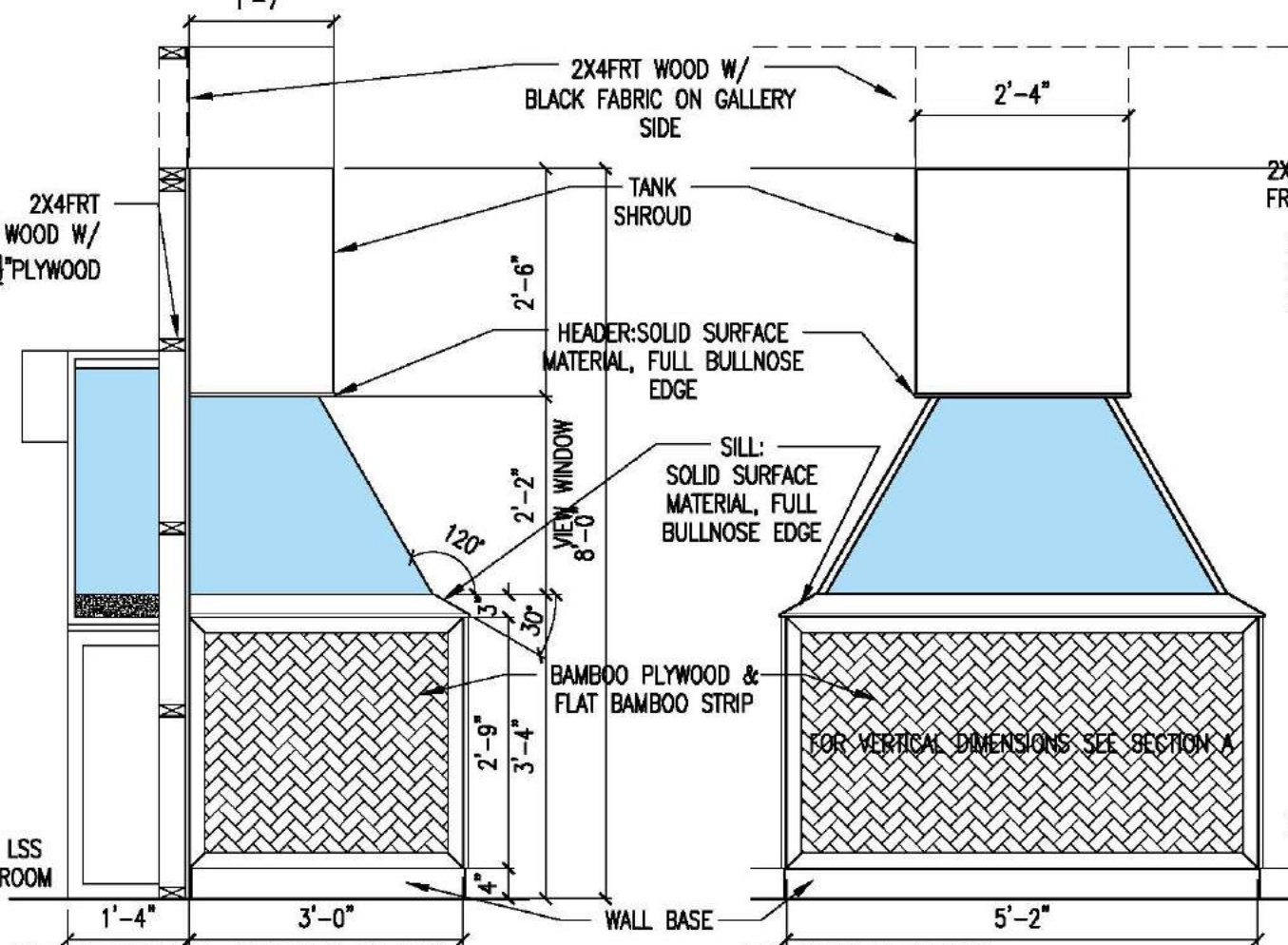
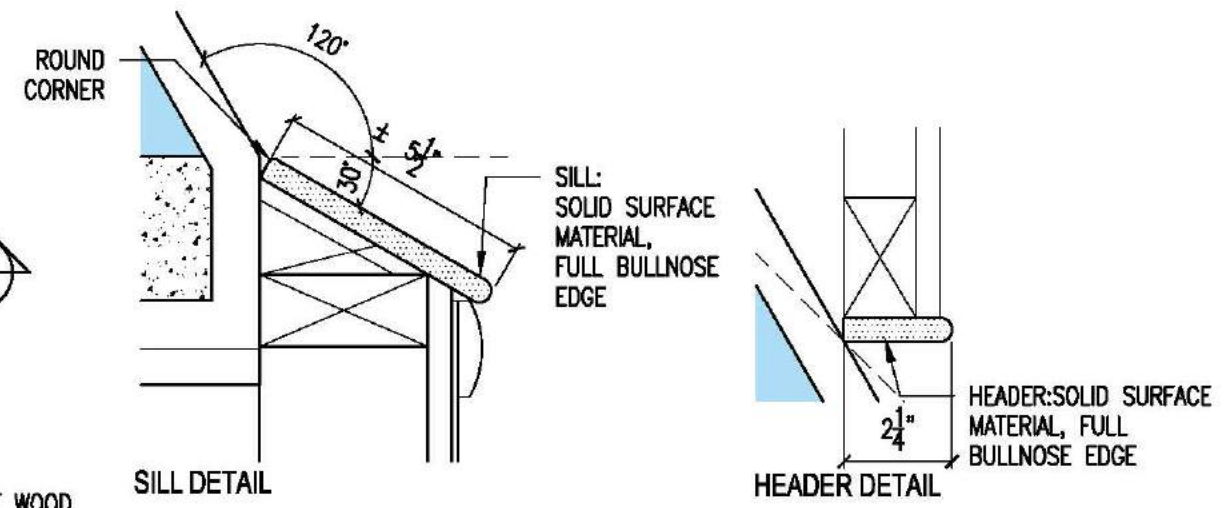
**PLAN @24" A.F.F.**

SCALE: 1/2" = 1'-0"



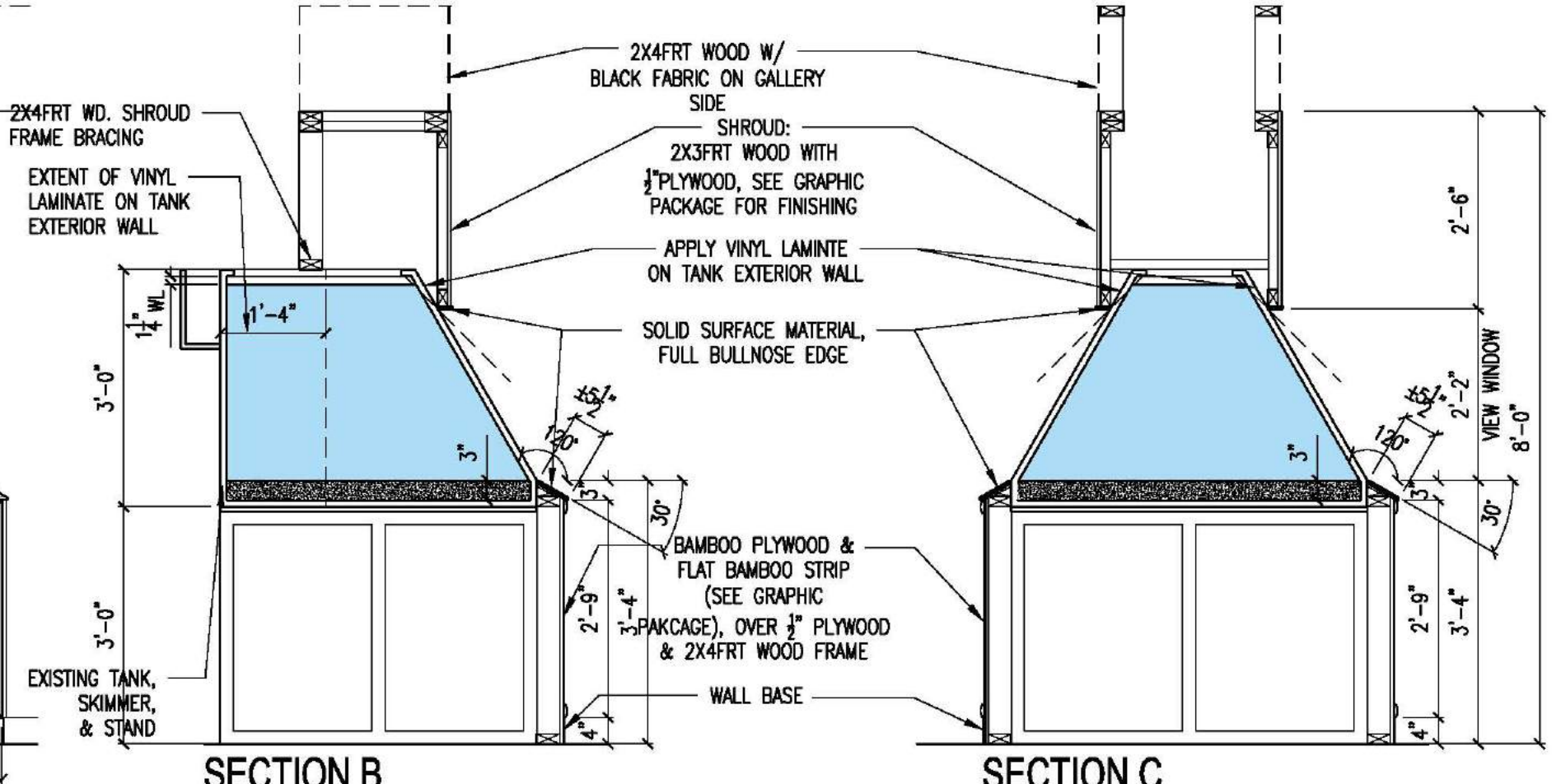
**PLAN @5'-6" A.F.F.**

(TOP TANK) SCALE: 1/2" = 1'-0"



**SECTION A (SIDE VIEW) SCALE: 1/2" = 1'-0"**

**FRONT VIEW SCALE: 1/2" = 1'-0"**



**SECTION B**

SCALE: 1/2" = 1'-0"

**SECTION C**

SCALE: 1/2" = 1'-0"

**RIPLEY ENTERTAINMENT, INC.**  
 7576 KINGSPONTE PKWY #188  
 ORLANDO, FLORIDA 32819  
 (407) 345-3010  
 WWW.RIPLEYS.COM

LOCATION: TORONTO, CANADA

NOTES:

PROJECT TITLE: **RIPLEY CHANGEABLE EXHIBIT**

DATE: 11/28/2017

REVISE DATE: —

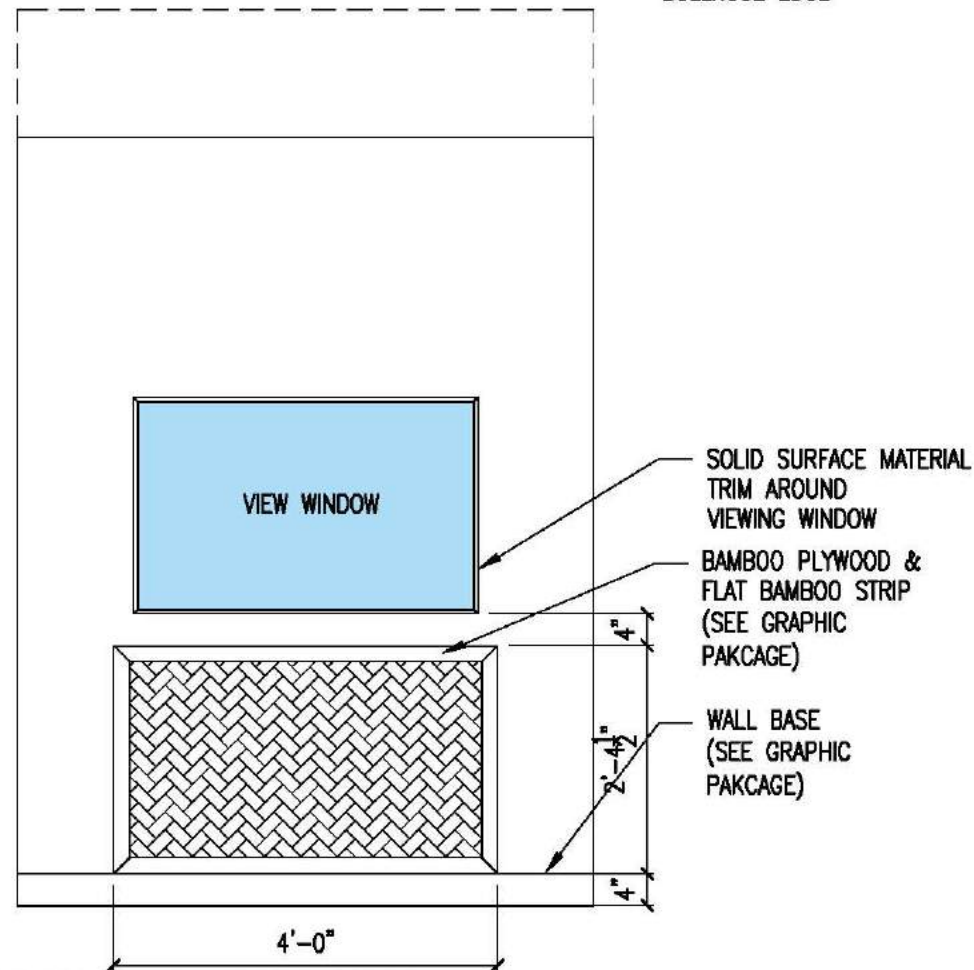
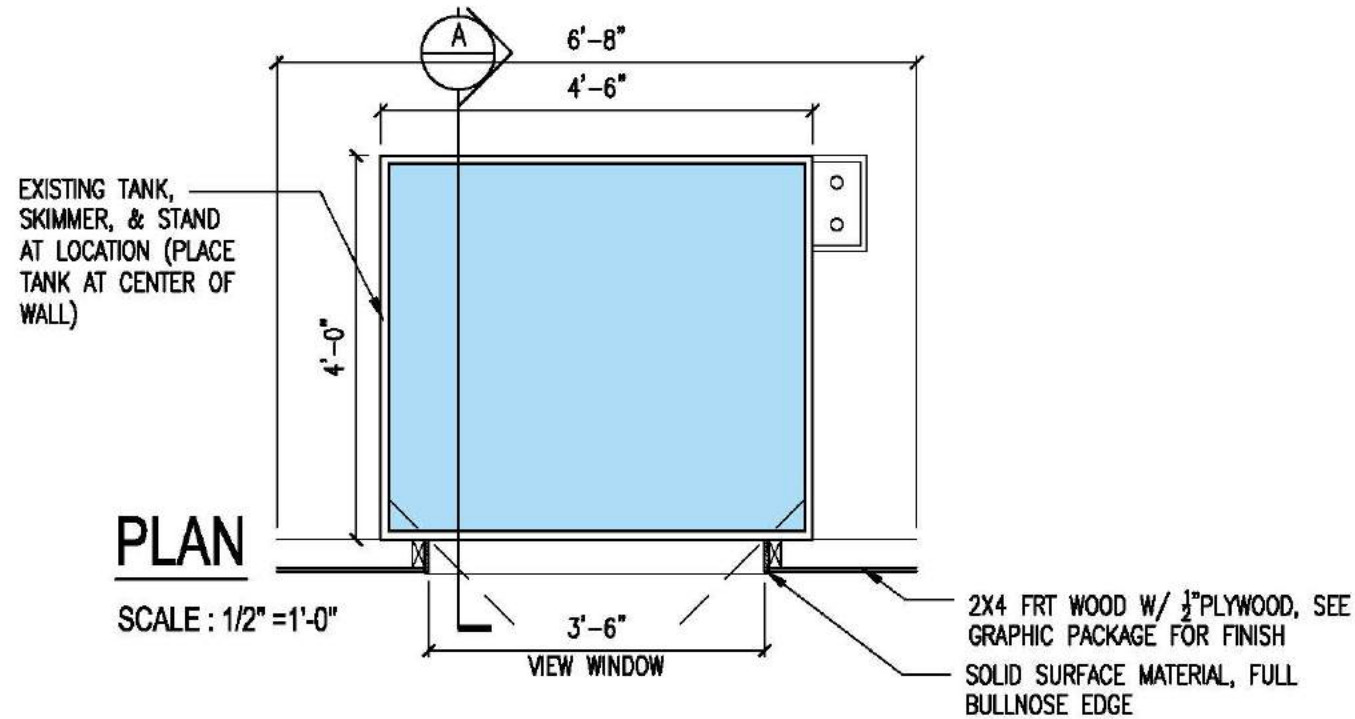
SCALE: 1/2" = 1'-0"

DRAWN BY: F. NURDJAJA

APPROVED BY:

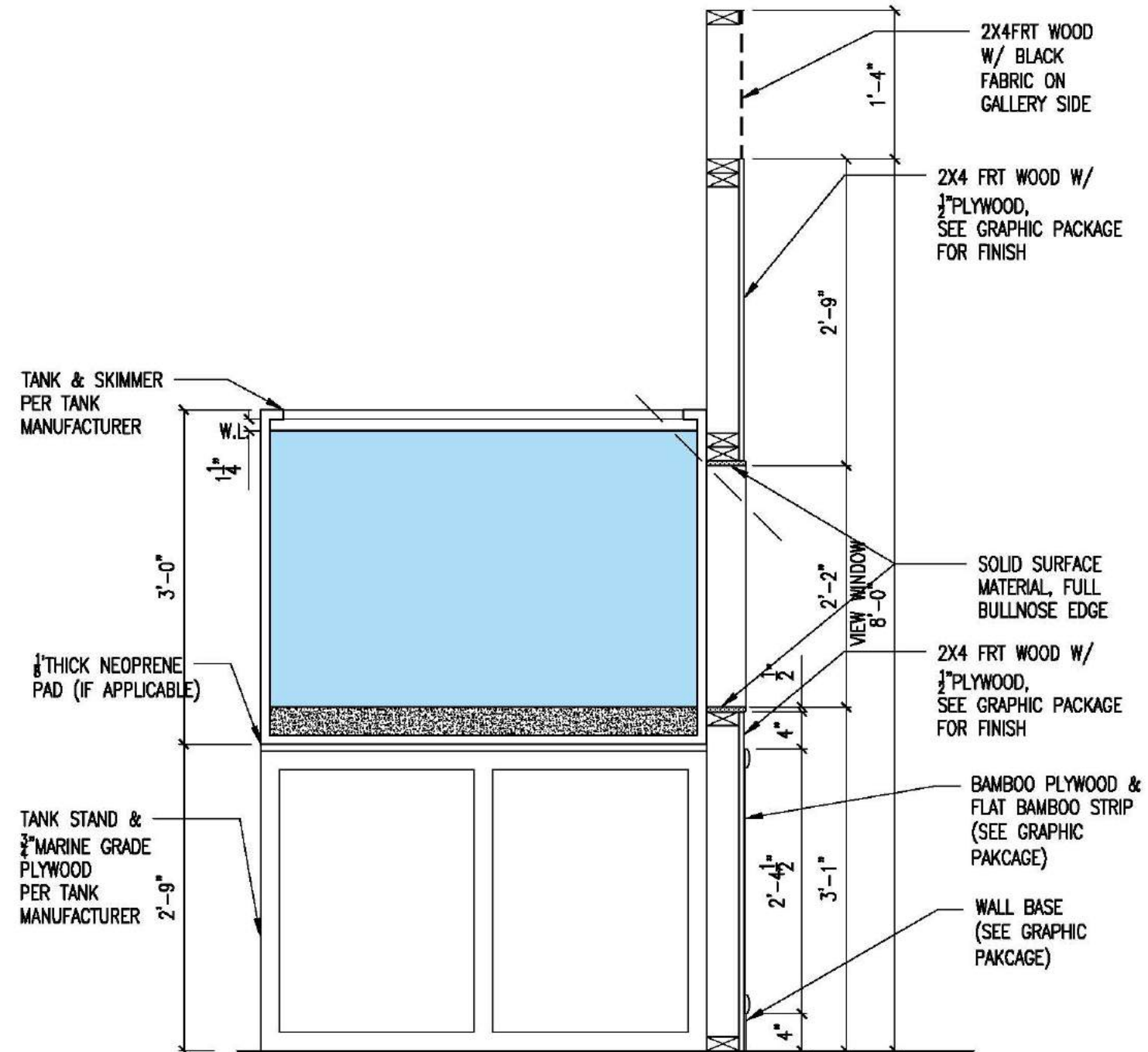
SHEET # T4 FROGFISH/BATFISH TANK





**WALL ELEVATION**

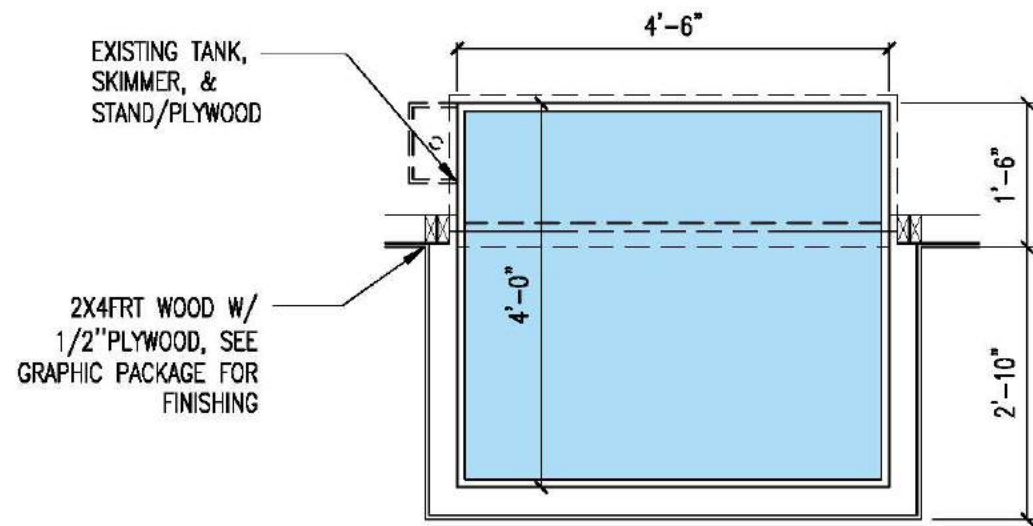
SCALE: 1/2" = 1'-0"



**SECTION A**

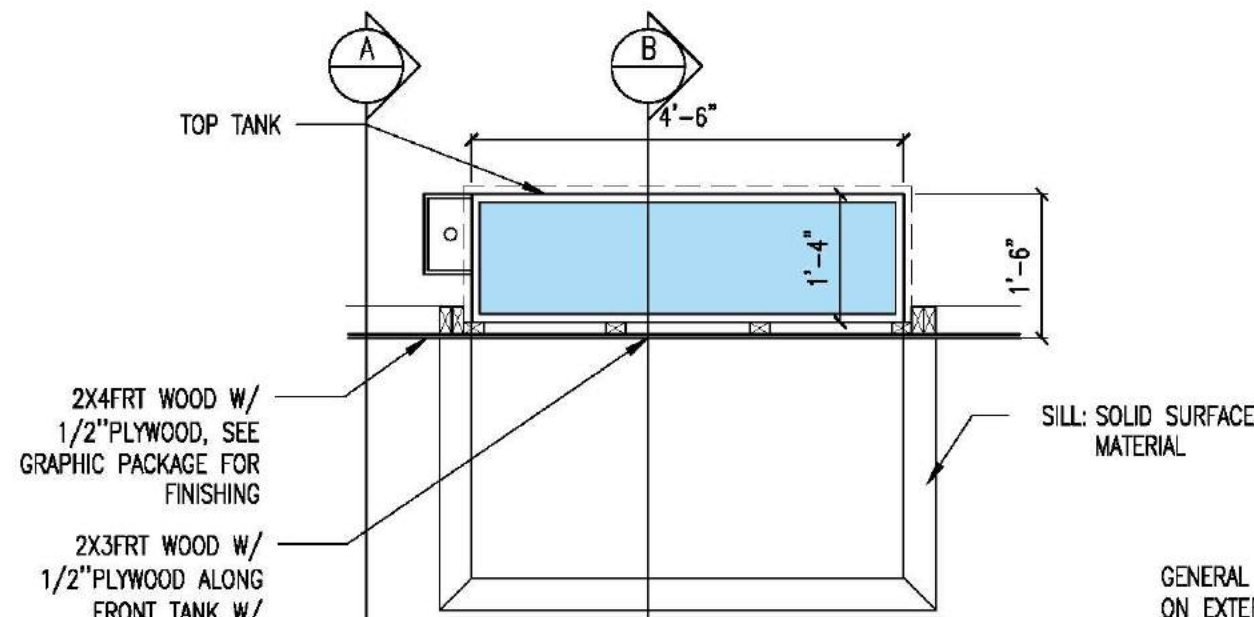
SCALE: 3/4" = 1'-0"





**PLAN @2'-4" A.F.F.**

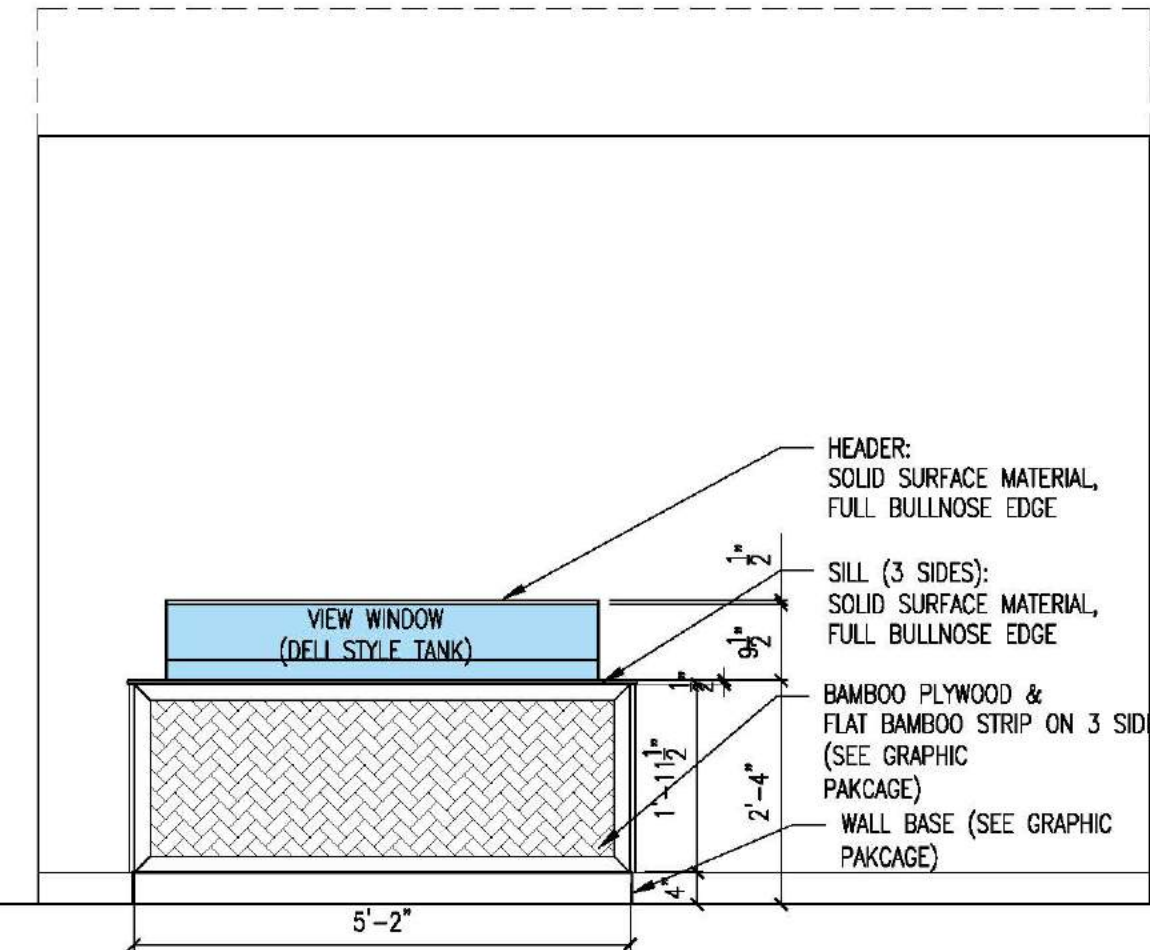
(BOTTOM TANK) SCALE: 1/2" = 1'-0"



**PLAN @3'-6" A.F.F.**

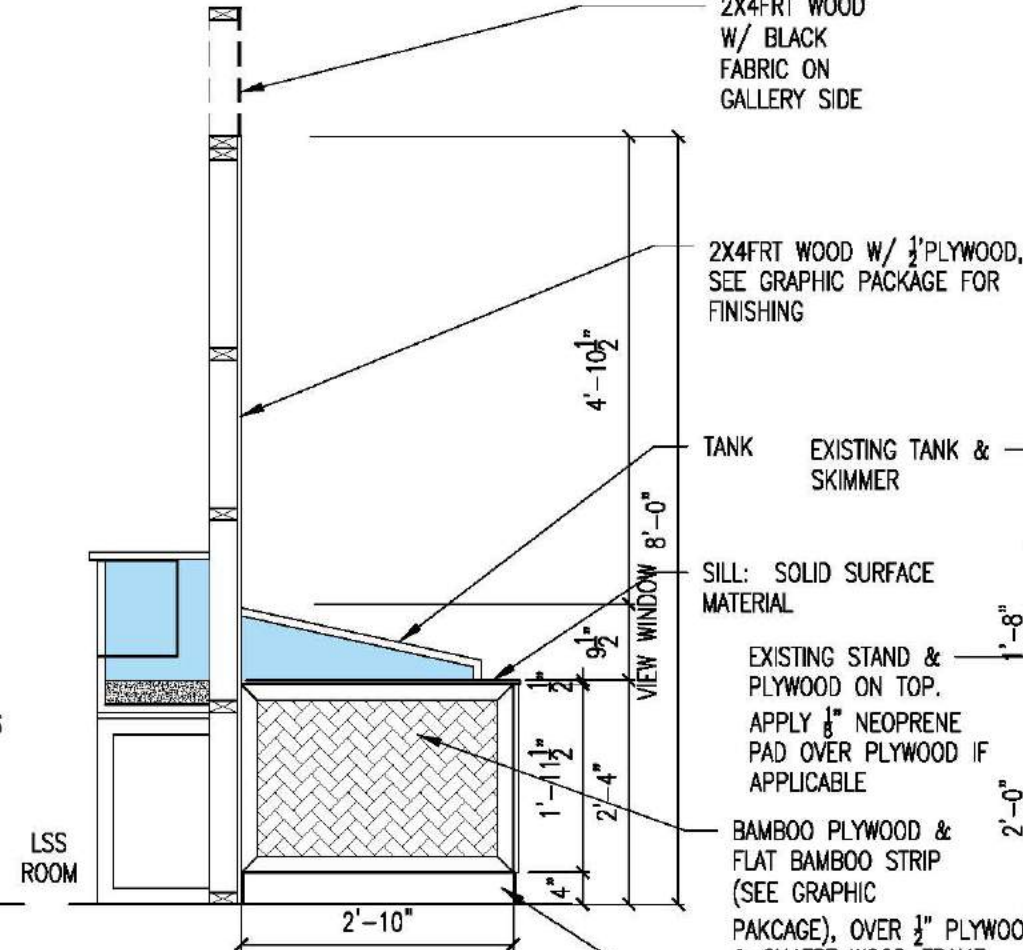
(TOP TANK) SCALE: 1/2" = 1'-0"

GENERAL NOTES: APPLY VINYL LAMINATE (BLUE OR BLACK) ON EXTERIOR WALLS OF TANK WHERE NEEDED TO MASK VIEW.



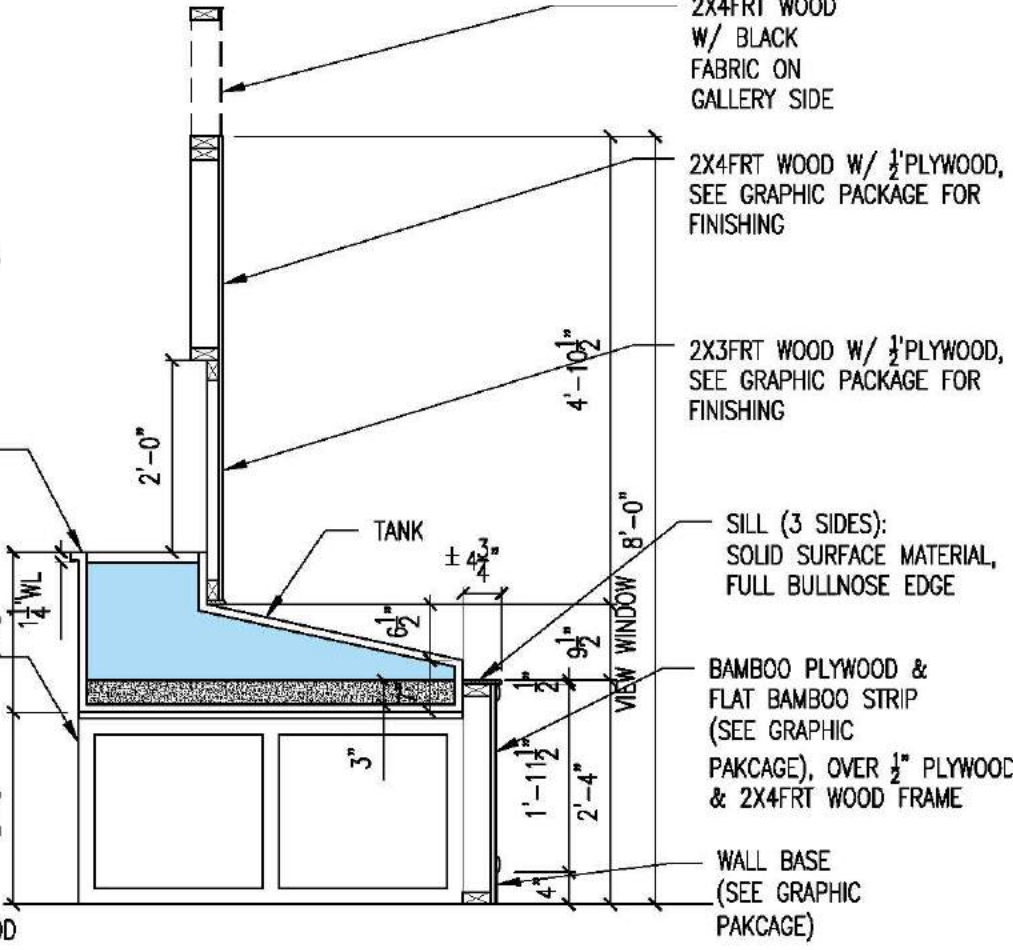
**FRONT WALL ELEVATION**

SCALE: 1/2" = 1'-0"



**SECTION A (SIDE VIEW, TYP.)**

SCALE: 1/2" = 1'-0"



**SECTION B**

SCALE: 1/2" = 1'-0"

**RIPLEY**  
ENTERTAINMENT, INC.  
7576 KINGSPORTE PKWY #188  
ORLANDO, FLORIDA 32819  
(407) 345-3010  
WWW.RIPLEYS.COM

LOCATION:  
TORONTO, CANADA  
NOTES:

PROJECT TITLE:  
**RIPLEY CHANGEABLE EXHIBIT**

DATE:  
11/28/2017  
REVISE DATE:  
—  
SCALE:  
1/2" = 1'-0"

DRAWN BY:  
F. NURDJAJA  
APPROVED BY:

SHEET #  
T6  
FANGFISH  
TANK